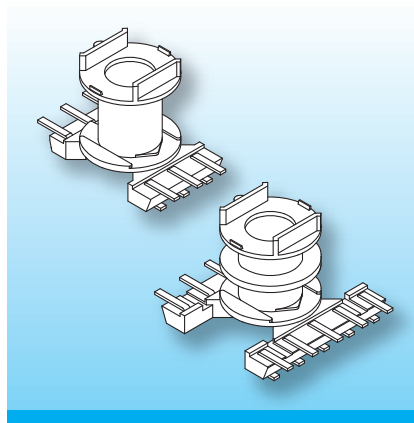


## RM-SMD Coilformers (fu)

The coilformers are made in gfr Polyphenylene Sulfide PPS of type torA504 (RTI long-range temperature +130°C) and made in gfr Polyamide PA66 of type A3X2G10 (RTI long-range temperature +115°C) and are suitable for reflow soldering.

Pin material: tin bronze, tinned.  
Special materials – e.g. irradiated cross-linked – and designs on request, dimensions in mm/*inch*.



The coilformers are fitted with U-shaped terminals. The two sides of the terminals allow automatic binding-on and soldering of the wires, leaving the pcb-side of the terminal free from tin. The tolerance compensator TA on the top flange eliminates the otherwise required insulation washer.

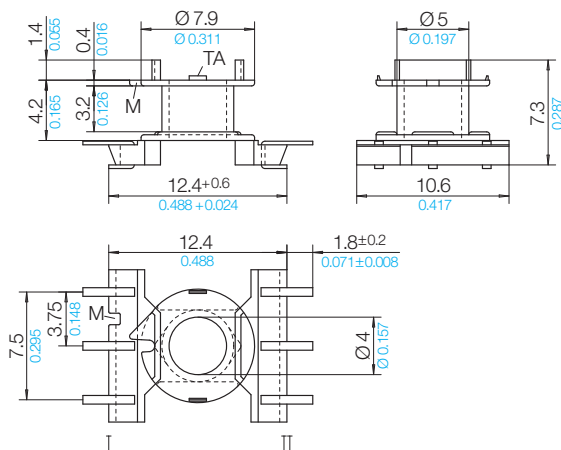
### Type

Coilformer: RM 4-LP-SMD2/1k/6f-625-/torA504  
Solder-pin: fu625-67/ub

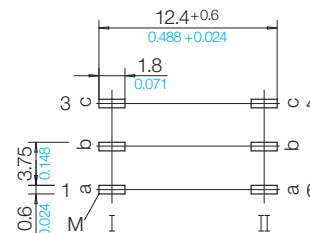
### Order-Code

N0328-132  on request  
75826-213

### Accessories



### Pin Connecting Surface View pin-side



### © 02/2013 by NORWE GmbH

All dimensions in mm/inch

The permissible deviations according to DIN 16901 apply as tolerances

Warranties:  
refer to Terms and Conditions of Sale



Valid version of  
data sheet online

QR Online-Version

### NORWE GmbH

Postfach 13 56  
51691 Bergneustadt  
Paulstraße 5, Pernze  
51702 Bergneustadt  
Deutschland  
Telefon +49 (0) 27 63-807-0  
Telefax +49 (0) 27 63-807-77  
E-mail verkauf@norwe.de  
Internet www.norwe.de  
www.norwe.eu

### NORWE Inc.

P.O. Box 25 11  
North Canton, OH 44720-0511  
United States of America  
Telefon +1-330 497-8113  
Telefax +1-330 305-0592  
E-mail usa@norwe.com  
Internet www.norwe.com