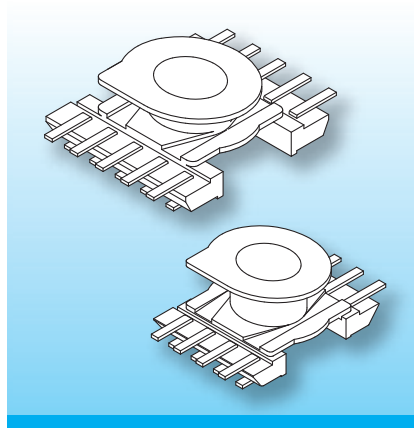


ER-SMD Coilformers (fu)

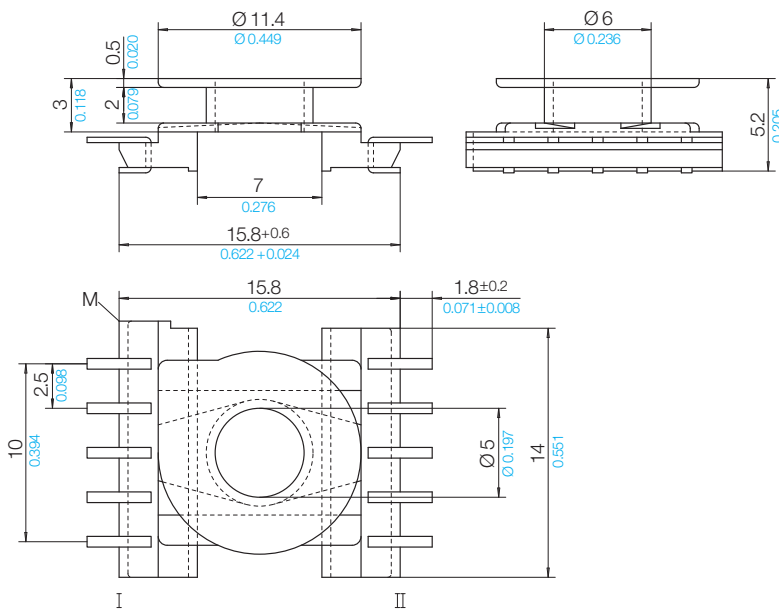
The coilformers are made in gfr Polyamide PA46 of type TE 250 F6 (RTI long-range temperature for V-0 (0.35) +65°C and for V-0 (0.75) +140°C) and are suitable for reflow soldering.

Pin material: tin bronze, tinned.
Special materials – e.g. irradiated cross-linked – and designs on request, dimensions in mm/inch.



The coilformers are fitted with U-shaped terminals. The two sides of the terminal allow automatic binding-on and soldering of the wires, leaving the pcb-side of the terminal free from tin. Instead of glueing the ferrites, use can be made of the SB-ER Spring-Clips.

Type	Order-Code	Accessories
Coilformer: ER 14.5/6-SMD2/1k/10f-625-/TE 250 F6 Solder-pin: fu625-67/ub	N0315-096 75826-213	on request on request



Pin Connecting Surface View pin-side

