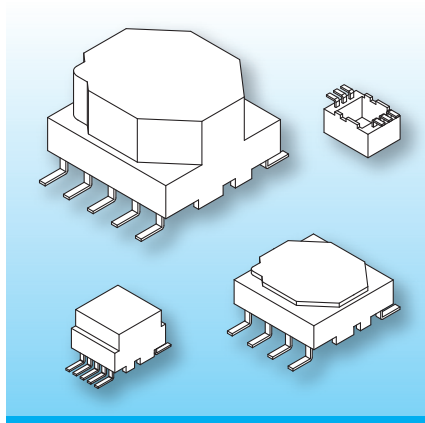


H-RG SMD Potting Boxes (fw)

The potting boxes (fw) are made in gfr Polyphenylene Sulfide PPS of type torA504 (RTI long-range temperature +130°C) and are suitable for reflow soldering. Pin material: tin bronze, tinned. Special materials – e.g. irradiated cross-linked – and designs on request, dimensions in mm/[inch](#).



The potting boxes are for surface mounting, as is common f.e. with filter chokes and ISDN transformers. The terminal type fw ensures a defined distance between potting box and pcb. The binding-on / soldering section of the terminal is accessible from the outside, the feet are easily positioned and electrical tests are possible.

Type

Potting Box: H-RG 6.5/6.5/4.9/10f-625-/torA504
Solder-pin: fw625-65/ub

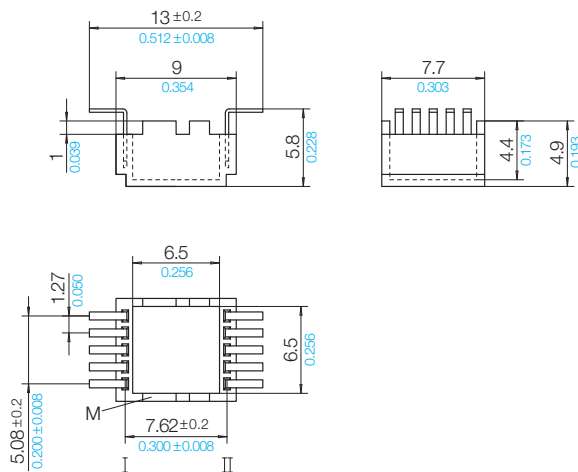
Order-Code

N0051-132 [on request](#)
N0393-213 [on request](#)

Accessories

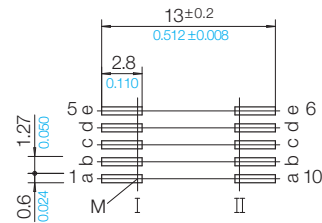
wound toroidal core

diameter \varnothing 6.5/ \varnothing 0.256
width 3.4/ \varnothing 0.134



Pin Connecting Surface

View pin-side



© 03/2014 by NORWE GmbH

Warranties:
refer to Terms and Conditions of Sale

NORWE GmbH

Postfach 13 56
51691 Bergneustadt
Paulstraße 5, Pernze
51702 Bergneustadt
Deutschland

Telefon +49 (0) 27 63-807-0
Telefax +49 (0) 27 63-807-77
E-mail verkauf@norwe.de
Internet www.norwe.de
www.norwe.eu

NORWE Inc.

P.O. Box 25 11
North Canton, OH 44720-0511
United States of America
Telefon +1-330 497-8113
Telefax +1-330 305-0592
E-mail usa@norwe.com
Internet www.norwe.com



Valid version of
data sheet online

QR Online-Version