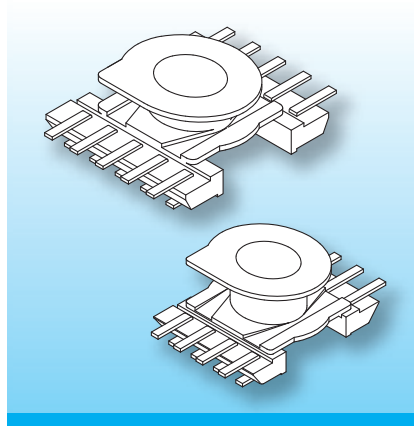


## ER-SMD Coilformers (fu)

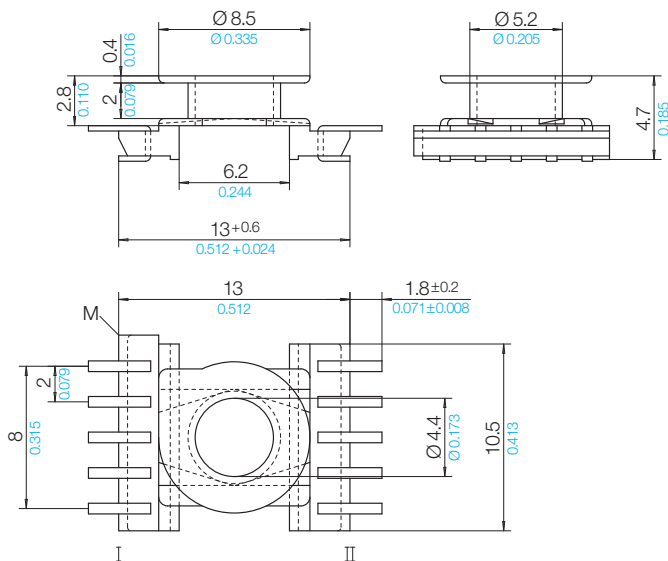
The coilformers are made in gfr Polyamide PA46 of type TE 250 F6 (RTI long-range temperature for V-0 (0.35) +65°C and for V-0 (0.75) +140°C) and are suitable for reflow soldering.

Pin material: tin bronze, tinned.  
Special materials – e.g. irradiated cross-linked – and designs on request, dimensions in mm/*inch*.



The coilformers are fitted with U-shaped terminals. The two sides of the terminal allow automatic binding-on and soldering of the wires, leaving the pcb-side of the terminal free from tin. Instead of glueing the ferrites, use can be made of the SB-ER Spring-Clips.

| Type  | Order-Code             | Accessories            |
|---|------------------------|------------------------|
| Coilformer: ER 11/5-SMD2/1k/10f-625-/TE 250 F6<br>Solder-pin: fu625-67/ub | 94222-096<br>75826-213 | Spring-Clip SB-ER 11/5 |



## Pin Connecting Surface

View pin-side

