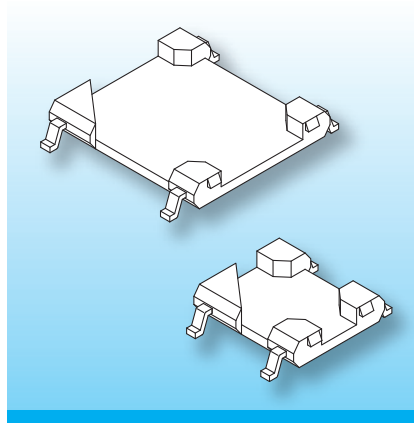


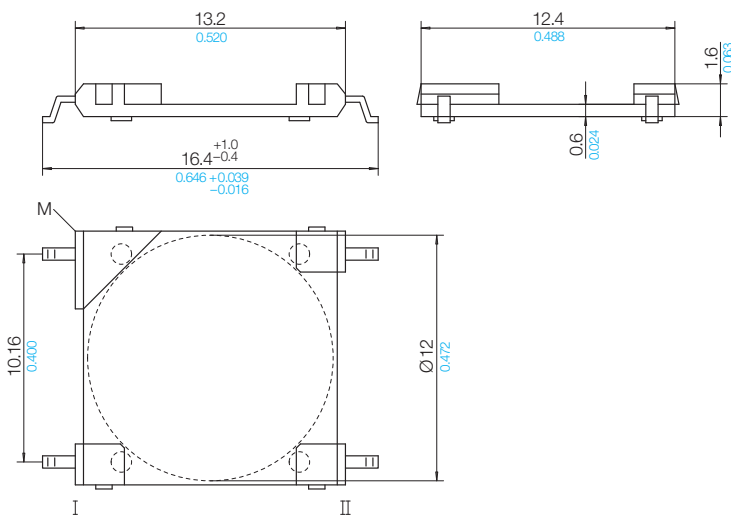
### GP-SMD Carriers (fm)

The carriers (fm) are made in gfr Polyphenylene Sulfide PPS of type torA504 (RTI long-range temperature +130°C) and are suitable for reflow soldering.  
Pin material: tin bronze, tinned.  
Special materials – e.g. irradiated cross-linked – and designs on request, dimensions in mm/inch).

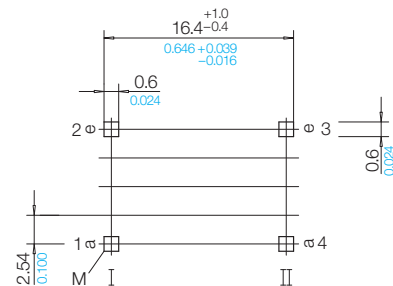


They are available in four different sizes. “Gull-wing” type SMD terminals are fitted at the corners. To prevent melt-out, these should ideally be mechanically fixed when soldering on the wires. To facilitate automatic board assembly, Pick and Place Caps are available for the whole range.

Type	Order-Code	Accessories
Carrier: GP-SMD1/12/4f-625-/torA504 Solder-pin: fm625-40/ub	94152-132 75803-213	Pick and Place Cap P-GP 12-5.4 Pick and Place Cap P-GP 12-7.4 Pick and Place Cap P-GP 12-9.4



### Pin Connecting Surface View pin-side



### © 08/2011 by NORWE GmbH

All dimensions in mm/inch

The permissible deviations according to DIN 16901 apply as tolerances

Warranties:  
refer to Terms and Conditions of Sale

### NORWE GmbH

Postfach 13 56  
51691 Bergneustadt  
Paulstraße 5, Pernze  
51702 Bergneustadt  
Deutschland  
Telefon +49 (0) 27 63-807-0  
Telefax +49 (0) 27 63-807-77  
E-mail verkauf@norwe.de  
Internet www.norwe.de  
www.norwe.eu

### NORWE Inc.

P.O. Box 25 11  
North Canton, OH 44720-0511  
United States of America  
Telefon +1-330 497-8113  
Telefax +1-330 305-0592  
E-mail usa@norwe.com  
Internet www.norwe.com