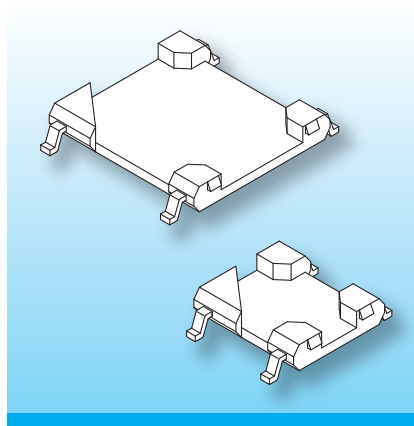


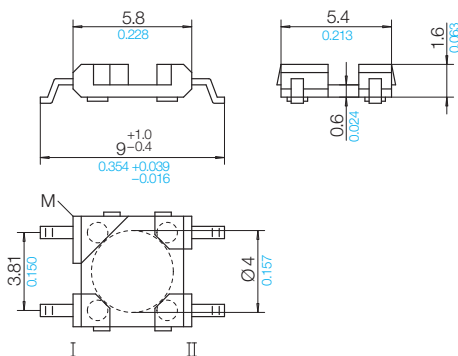
GP-SMD Carriers (fm)

The carriers (fm) are made in gfr Polyphenylene Sulfide PPS of type torA504 (RTI long-range temperature +130°C) and are suitable for reflow soldering.
Pin material: tin bronze, tinned.
Special materials – e.g. irradiated cross-linked – and designs on request, dimensions in mm/inch).



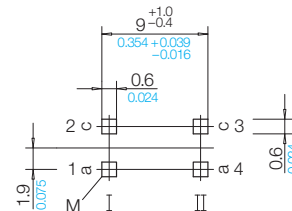
They are available in four different sizes. “Gull-wing” type SMD terminals are fitted at the corners. To prevent melt-out, these should ideally be mechanically fixed when soldering on the wires. To facilitate automatic board assembly, Pick and Place Caps are available for the whole range.

Type	Order-Code	Accessories
Carrier: GP-SMD1/4/4f-625-/torA504 Solder-pin: fm625-35/ub	94149-132 75802-213	Pick and Place Cap P-GP 4-2.4 Pick and Place Cap P-GP 4-4.4 Pick and Place Cap P-GP 4-6.4



Pin Connecting Surface

View pin-side



© 08/2011 by NORWE GmbH

All dimensions in mm/inch

The permissible deviations according to DIN 16901 apply as tolerances

Warranties:
refer to Terms and Conditions of Sale

NORWE GmbH

Postfach 13 56
51691 Bergneustadt
Paulstraße 5, Pernze
51702 Bergneustadt
Deutschland
Telefon +49 (0) 27 63-807-0
Telefax +49 (0) 27 63-807-77
E-mail verkauf@norwe.de
Internet www.norwe.de
www.norwe.eu

NORWE Inc.

P.O. Box 25 11
North Canton, OH 44720-0511
United States of America
Telefon +1-330 497-8113
Telefax +1-330 305-0592
E-mail usa@norwe.com
Internet www.norwe.com