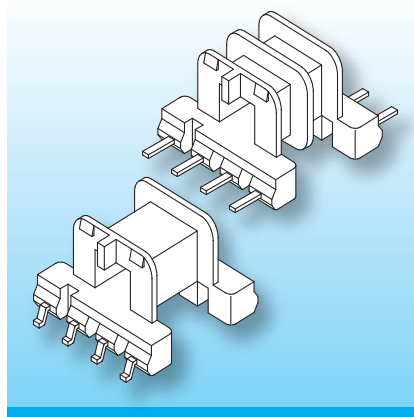


## EE-SMD Coilformers (fm)

The coilformers are made in gfr Polyphenylene Sulfide PPS of type torA504 (RTI long-range temperature 130°C) and are suitable for reflow soldering.  
Pin material: tin bronze, tinned.  
Special materials – e.g. irradiated cross-linked – and designs on request, dimensions in mm/inch).

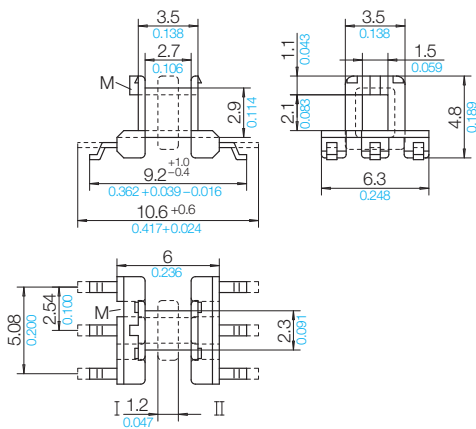


The coilformers have “gull-wing” terminals.

To prevent melt-out, these should ideally be mechanically fixed when soldering on the wires.

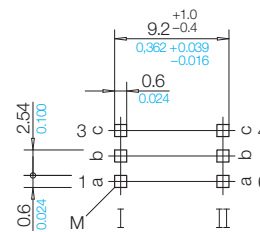
The coilformers are available with single or double sections.  
Automatic placing of the coilformers is possible by using a Pick and Place Cap.

Type	Order-Code	Accessories
Coilformer: EE 6.3-SMD1/1k/6f-625-/torA504	92168-132	Pick and Place Cap P-EE 5
Coilformer: EE 6.3-SMD1/2k/6f-625-/torA504	92171-132	
Solder-pin: fm625-30/ub	75801-213	
Solder-pin: f625-30/ub	75850-213	



## Pin Connecting Surface

View pin-side



## © 07/2011 by NORWE GmbH

All dimensions in mm/inch

The permissible deviations according to DIN 16901 apply as tolerances

Warranties:  
refer to Terms and Conditions of Sale

## NORWE GmbH

Postfach 13 56  
51691 Bergneustadt  
Paulstraße 5, Pernze  
51702 Bergneustadt  
Deutschland  
Telefon +49 (0) 27 63-807-0  
Telefax +49 (0) 27 63-807-77  
E-mail verkauf@norwe.de  
Internet www.norwe.de  
www.norwe.eu

## NORWE Inc.

P.O. Box 25 11  
North Canton, OH 44720-0511  
United States of America  
Telefon +1-330 497-8113  
Telefax +1-330 305-0592  
E-mail usa@norwe.com  
Internet www.norwe.com