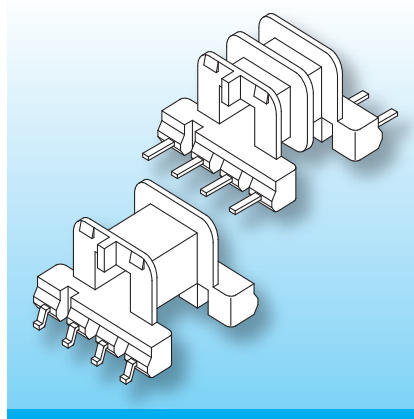


EE-SMD Coilformers (fm)

The coilformers are made in gfr Polyphenylene Sulfide PPS of type torA504 (RTI long-range temperature 130°C) and are suitable for reflow soldering.
Pin material: tin bronze, tinned.
Special materials – e.g. irradiated cross-linked – and designs on request, dimensions in mm/inch).

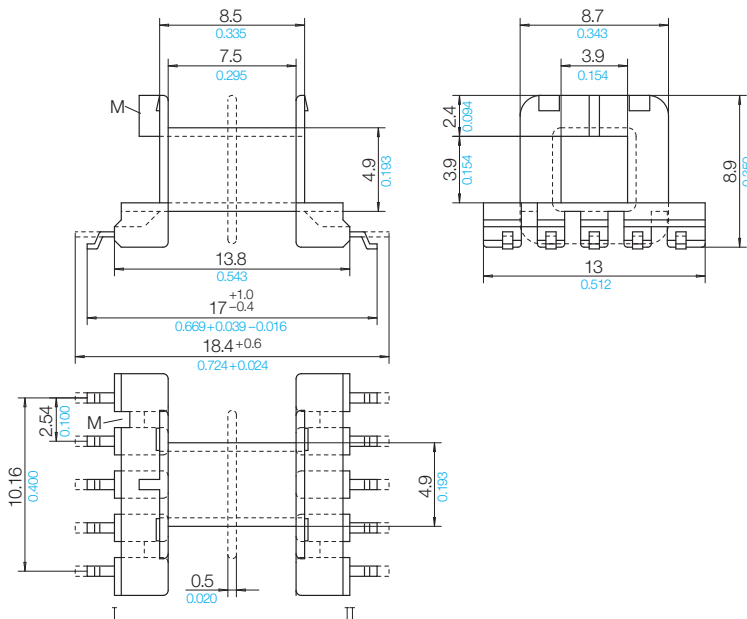


The coilformers have “gull-wing” terminals.

To prevent melt-out, these should ideally be mechanically fixed when soldering on the wires.

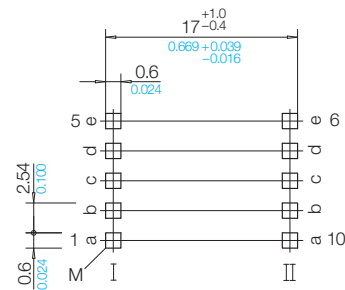
The coilformers are available with single or double sections.
Automatic placing of the coilformers is possible by using a Pick and Place Cap.

Type	Order-Code	Accessories
Coilformer: EE 12.6-SMD1/1k/10f-625-/torA504	92 1 6 7 - 1 3 2	Pick and Place Cap P-EE 12.6
Coilformer: EE 12.6-SMD1/2k/10f-625-/torA504	92 1 7 5 - 1 3 2	Potting Box EE 12.6/vla
Solder-pin: fm625-40/ub	7 5 8 0 3 - 2 1 3	Spring-Clip SB-EF 12.6
Solder-pin: f625-40/ub	7 5 8 5 4 - 2 1 3	



Pin Connecting Surface

View pin-side



© 07/2011 by NORWE GmbH

All dimensions in mm/inch

The permissible deviations according to DIN 16901 apply as tolerances

Warranties:
refer to Terms and Conditions of Sale

NORWE GmbH

Postfach 13 56
51691 Bergneustadt
Paulstraße 5, Pernze
51702 Bergneustadt
Deutschland
Telefon +49 (0) 27 63-807-0
Telefax +49 (0) 27 63-807-77
E-mail verkauf@norwe.de
Internet www.norwe.de
www.norwe.eu

NORWE Inc.

P.O. Box 25 11
North Canton, OH 44720-0511
United States of America
Telefon +1-330 497-8113
Telefax +1-330 305-0592
E-mail usa@norwe.com
Internet www.norwe.com