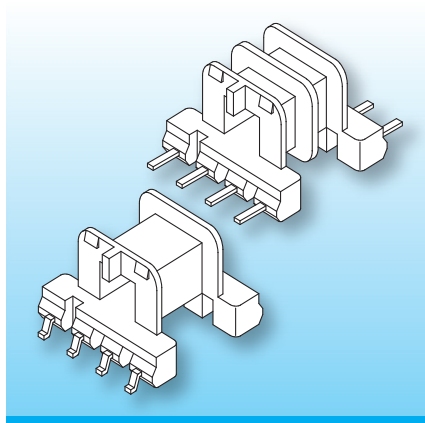


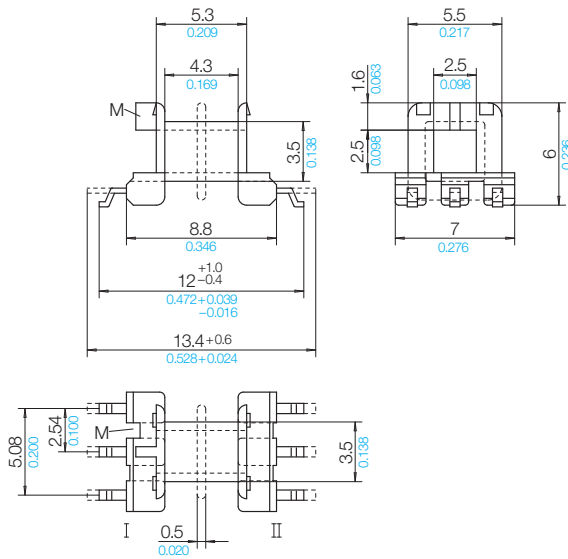
EE-SMD Coilformers (fm)

The coilformers are made in gfr Polyphenylene Sulfide PPS of type torA504 (RTI long-range temperature 130°C) and are suitable for reflow soldering.
Pin material: tin bronze, tinned.
Special materials – e.g. irradiated cross-linked – and designs on request, dimensions in mm/inch).



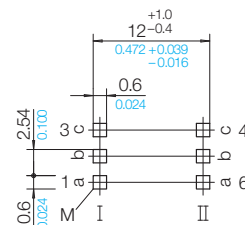
The coilformers have “gull-wing” terminals.
To prevent melt-out, these should ideally be mechanically fixed when soldering on the wires.
The coilformers are available with single or double sections.
Automatic placing of the coilformers is possible by using a Pick and Place Cap.

Type	Order-Code	Accessories
Coilformer: EE 8-SMD1/1k/6f-625-/torA504	92 165 - 132	Pick and Place Cap P-EE 8
Coilformer: EE 8-SMD1/2k/6f-625-/torA504	92 173 - 132	Potting Box EE 8/vla
Solder-pin: fm625-35/ub	75802-213	
Solder-pin: f625-35/ub	75852-213	



Pin Connecting Surface

View pin-side



© 12/2015 by NORWE GmbH

Warranties:
refer to Terms and Conditions of Sale

NORWE GmbH

Postfach 13 56
51691 Bergneustadt
Paulstraße 5, Pernze
51702 Bergneustadt
Deutschland
Telefon +49 (0) 27 63-807-0
Telefax +49 (0) 27 63-807-77
E-mail verkauf@norwe.de
Internet www.norwe.de
www.norwe.eu

NORWE Inc.

P.O. Box 25 11
North Canton, OH 44720-0511
United States of America
Telefon +1-330 497-8113
Telefax +1-330 305-0592
E-mail usa@norwe.com
Internet www.norwe.com



Valid version of
data sheet online

QR Online-Version