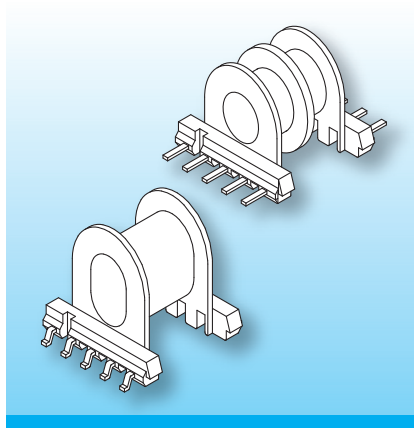


EP/EPX-SMD Coilformers (fm)

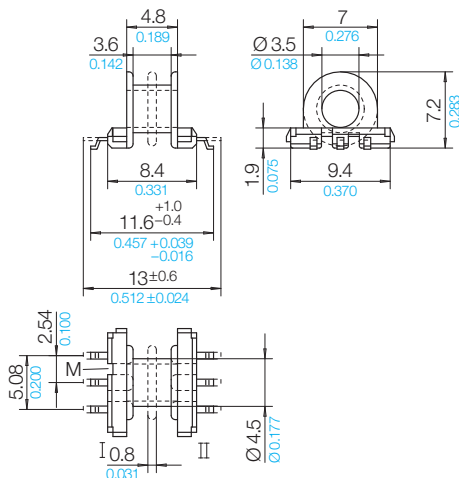
The coilformers are made in gfr Polyphenylene Sulfide PPS of type torA504 (RTI long-range temperature +130°C) and are suitable for reflow soldering.

Pin material: tin bronze, tinned.
Special materials – e.g. irradiated cross-linked – and designs on request, dimensions in mm/inch.



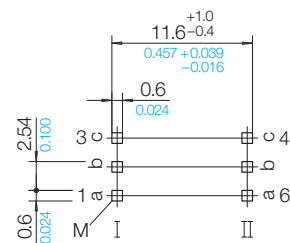
The coilformers are fitted with “gull-wing” terminals. To prevent melt-out, these should ideally be mechanically secured when soldering on the wires. Instead of glueing the ferrites, use can be made of the SB-EP Spring Clips. Automatic placing of the coilformers and the ferrites is possible by using a Snap-on Cap. This cap is spring-loaded and keeps the ferrites and coilformer together.

Type	Order-Code	Accessories
Coilformer: EP 7-SMD1/1k/6f-625-/torA504	90143-132	Snap-on Cap EP 7/FG
Coilformer: EP 7-SMD1/2k/6f-625-/torA504	90144-132	Spring-Clip SB-EP 7
Solder-pin: fm625-40/ub	75803-213	
Solder-pin: f625-40/ub	75854-213	



Pin Connecting Surface

View pin-side



© 04/2015 by NORWE GmbH

Warranties:
refer to Terms and Conditions of Sale

NORWE GmbH

Postfach 13 56
51691 Bergneustadt
Paulstraße 5, Pernze
51702 Bergneustadt
Deutschland
Telefon +49 (0) 27 63-807-0
Telefax +49 (0) 27 63-807-77
E-mail verkauf@norwe.de
Internet www.norwe.de
www.norwe.eu

NORWE Inc.

P.O. Box 25 11
North Canton, OH 44720-0511
United States of America
Telefon +1-330 497-8113
Telefax +1-330 305-0592
E-mail usa@norwe.com
Internet www.norwe.com



Valid version of
data sheet online

QR Online-Version