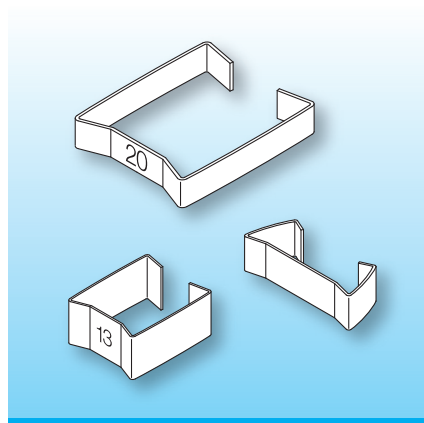


Spring-Clips SB-SMD

The Spring-Clips are for assembling the ferrite cores and holding them together. The process is simple and cost-effective. The clips surround the whole outside of the ferrite cores and keep them under constant pressure. Variations of operating temperature has no effect on clamping pressure. One clip is required per assembly.

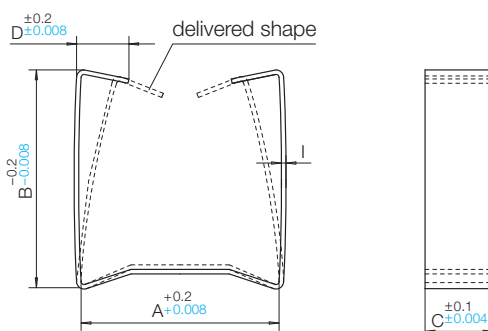


Special materials and designs on request, dimensions in mm/*inch*.

When ordering please quote type and order-code.

| Type I | Order-Code | | A | B | C | D | I |
|-----------------|------------|------------|---------------|---------------|--------------|--------------|---------------|
| SB – EF 5/sa | N0356-085 | on request | 5.4 0.213 | 6.0 0.236 | 2.0 0.079 | 1.6 0.063 | 0.15 0.006 |
| SB – EF 6.3/sa | N0378-085 | on request | 6.6 0.260 | 6.0 0.236 | 2.0 0.079 | 1.8 0.071 | 0.15 0.006 |
| SB – EF 8/sa | N0133-085 | on request | 8.2 0.323 | 8.8 0.346 | 2.0 0.079 | 2.0 0.079 | 0.15 0.006 |
| SB – EF 8.8/sa | N0379-085 | on request | 9.5 0.374 | 9.0 0.354 | 2.0 0.079 | 2.0 0.079 | 0.20 0.008 |
| SB – EF 10/sa | N0134-085 | on request | 10.3 0.406 | 10.8 0.425 | 2.5 0.098 | 2.5 0.098 | 0.20 0.008 |
| SB – EF 12.6/sa | 78940-085 | | 13.1 0.516 | 14.0 0.551 | 3.5 0.138 | 3.0 0.118 | 0.25 0.010 |
| SB – EF 16/sa | 78941-085 | | 16.7 0.657 | 17.4 0.685 | 4.5 0.177 | 4.0 0.157 | 0.30 0.012 |
| SB – EF/E 20/sa | 78942-085 | | 20.8 0.819 | 21.6 0.850 | 5.5 0.217 | 5.0 0.197 | 0.30 0.012 |

Type I



shown Spring-Clip SB-EF 10

© 04/2018 by NORWE GmbH

Warranties:
refer to Terms and Conditions of Sale

NORWE GmbH

Postfach 13 56
51691 Bergneustadt
Paulstraße 5, Pernze
51702 Bergneustadt
Deutschland
Telefon +49 (0) 27 63-807-0
Telefax +49 (0) 27 63-807-77
E-mail verkauf@norwe.de
Internet www.norwe.de
www.norwe.eu

NORWE Inc.

P.O. Box 25 11
North Canton, OH 44720-0511
United States of America
Telefon +1-330 497-8113
Telefax +1-330 305-0592
E-mail usa@norwe.com
Internet www.norwe.com

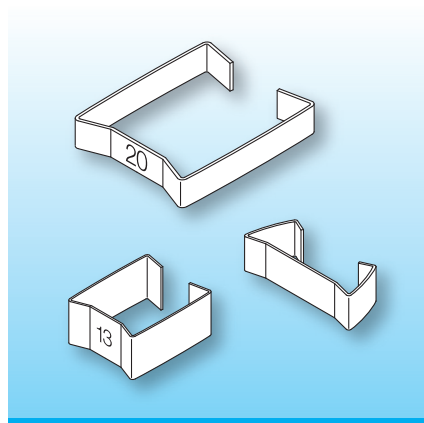


Valid version of
data sheet online

QR Online-Version

Spring-Clips SB-SMD

The Spring-Clips are for assembling the ferrite cores and holding them together. The process is simple and cost-effective. The clips surround the whole outside of the ferrite cores and keep them under constant pressure. Variations of operating temperature has no effect on clamping pressure. One clip is required per assembly.

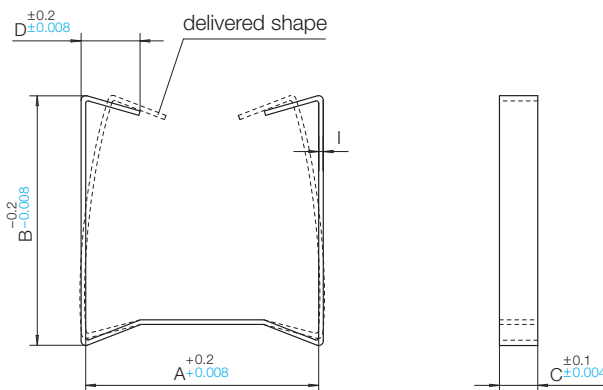


Special materials and designs on request, dimensions in mm/*inch*.

When ordering please quote type and order-code.

| Type II | Order-Code | | A | B | C | D | I |
|----------------|------------|------------|---------------|---------------|--------------|--------------|---------------|
| SB – EFD 10/sa | N0380-085 | on request | 10.9 0.429 | 11.4 0.449 | 2.5 0.098 | 2.5 0.098 | 0.20 0.008 |
| SB – EFD 12/sa | N0381-085 | on request | 12.9 0.508 | 13.6 0.535 | 3.0 0.118 | 3.0 0.118 | 0.20 0.008 |
| SB – EFD 15/sa | 78990-085 | | 15.5 0.610 | 16.3 0.642 | 3.0 0.118 | 3.0 0.118 | 0.20 0.008 |
| SB – EFD 20/sa | 78991-085 | | 20.7 0.815 | 21.5 0.846 | 3.5 0.138 | 1.6 0.063 | 0.25 0.010 |
| SB – EFD 25/sa | N0382-085 | on request | 25.8 1.016 | 26.7 1.051 | 5.0 0.197 | 1.7 0.067 | 0.25 0.010 |
| SB – EFD 30/sa | N0383-085 | on request | 30.9 1.217 | 31.9 1.256 | 5.5 0.217 | 1.8 0.071 | 0.25 0.010 |

Type II



shown Spring-Clip SB-EFD 20

© 04/2018 by NORWE GmbH

Warranties:
refer to Terms and Conditions of Sale

NORWE GmbH

Postfach 13 56
51691 Bergneustadt
Paulstraße 5, Pernze
51702 Bergneustadt
Deutschland

Telefon +49 (0) 27 63-807-0
Telefax +49 (0) 27 63-807-77
E-mail verkauf@norwe.de
Internet www.norwe.de
www.norwe.eu

NORWE Inc.

P.O. Box 25 11
North Canton, OH 44720-0511
United States of America
Telefon +1-330 497-8113
Telefax +1-330 305-0592
E-mail usa@norwe.com
Internet www.norwe.com

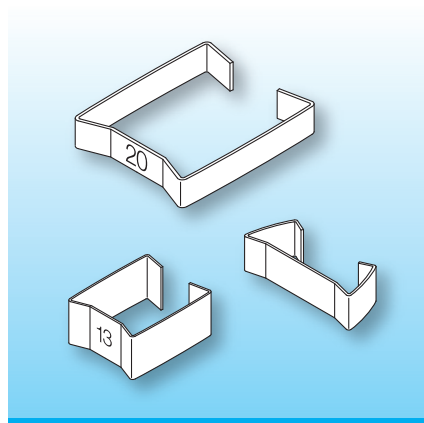


Valid version of
data sheet online

QR Online-Version

Spring-Clips SB-SMD

The Spring-Clips are for assembling the ferrite cores and holding them together. The process is simple and cost-effective. The clips surround the whole outside of the ferrite cores and keep them under constant pressure. Variations of operating temperature has no effect on clamping pressure. One clip is required per assembly.



Special materials and designs on request, dimensions in mm/*inch*.

When ordering please quote type and order-code.

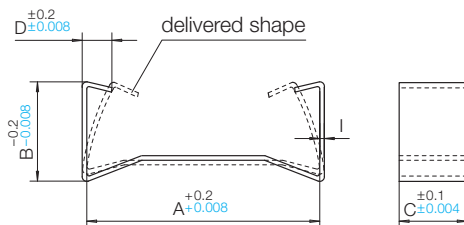
| Type III | Order-Code | A | B | C | D | I |
|-------------------|------------|---------------|--------------|--------------|--------------|---------------|
| SB – ER 9.5/5/sa | 78920-085 | 9.6 0.378 | 5.5 0.217 | 4.0 0.157 | 2.5 0.098 | 0.15 0.006 |
| SB – ER 11/5/sa | 78921-085 | 11.1 0.437 | 5.5 0.217 | 4.5 0.177 | 3.0 0.118 | 0.15 0.006 |
| SB – ER 14.5/6/sa | N0384-085 | 14.7 0.579 | 6.5 0.256 | 5.0 0.197 | 4.0 0.157 | 0.20 0.008 |

on request

| Type IV | Order-Code | A | B | C | D | I |
|---------------|------------|---------------|---------------|--------------|--------------|---------------|
| SB – EP 5/sa | N0385-085 | 6.4 0.252 | 6.7 0.264 | 3.0 0.118 | 2.0 0.079 | 0.20 0.008 |
| SB – EP 7/sa | 78955-085 | 9.6 0.378 | 8.5 0.335 | 5.0 0.197 | 2.5 0.098 | 0.25 0.010 |
| SB – EP 10/sa | 78956-085 | 12.0 0.472 | 11.5 0.453 | 6.0 0.236 | 3.0 0.118 | 0.25 0.010 |
| SB – EP 13/sa | 78957-085 | 13.0 0.512 | 14.2 0.559 | 7.5 0.295 | 4.0 0.157 | 0.30 0.012 |

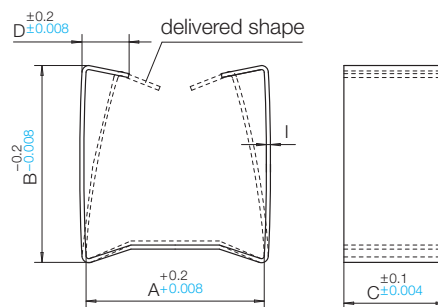
on request

Type III



shown Spring-Clip SB-ER 9.5

Type IV



shown Spring-Clip SB-EP 13

© 04/2018 by NORWE GmbH

Warranties:
refer to Terms and Conditions of Sale

NORWE GmbH

Postfach 13 56
51691 Bergneustadt
Paulstraße 5, Pernze
51702 Bergneustadt
Deutschland
Telefon +49 (0) 27 63-807-0
Telefax +49 (0) 27 63-807-77
E-mail verkauf@norwe.de
Internet www.norwe.de
www.norwe.eu

NORWE Inc.

P.O. Box 25 11
North Canton, OH 44720-0511
United States of America
Telefon +1-330 497-8113
Telefax +1-330 305-0592
E-mail usa@norwe.com
Internet www.norwe.com



Valid version of
data sheet online

QR Online-Version