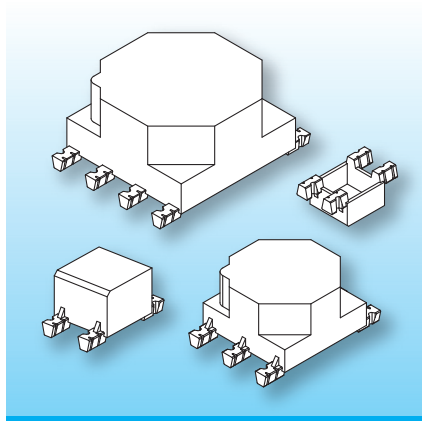


H-RG SMD Potting Boxes (LP)

The potting boxes (LP) are made in gfr Polyphenylene Sulfide PPS of type torA504 (RTI long-range temperature +130°C) and are suitable for reflow soldering. Special materials – e.g. irradiated cross-linked – and designs on request, dimensions in mm/*inch*.

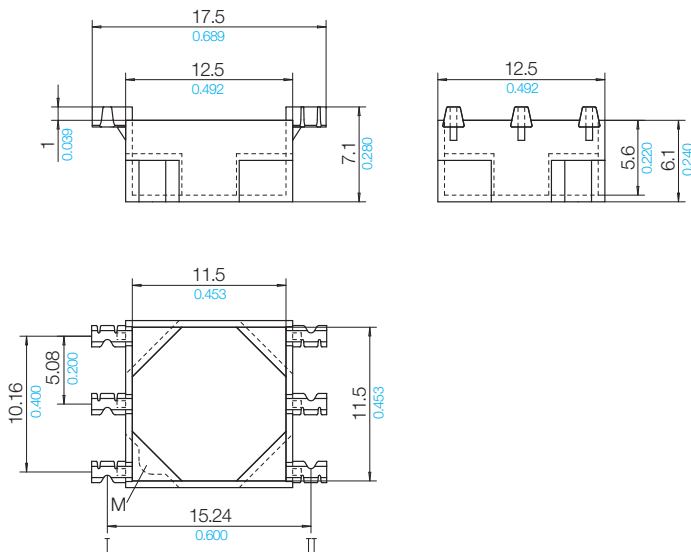


The potting boxes have no metal terminals. Wires are connected to plastic feet, which have a V-shaped slot for wrapping. The binding-on points of the wires provide the eventual connection to the pcb. These soldering points should be brushed blank before positioning onto the pcb.

Type	Order-Code	Accessories
Potting Box: H-RG 11.5/11.5/7.1/6LP/5.08/torA504	66392-132	

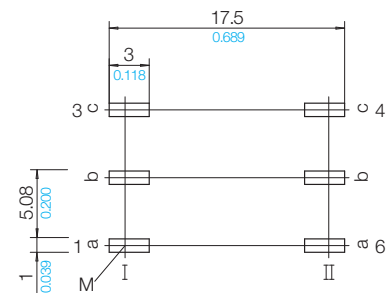
wound toroidal core

diameter \varnothing 11.5/ \varnothing 0.453
width 5.6/ \varnothing 0.220



Connecting Surface

View Connecting-side



07 B 1 K

© 10/2017 by NORWE GmbH

Warranties:
refer to Terms and Conditions of Sale

NORWE GmbH

Postfach 13 56
51691 Bergneustadt
Paulstraße 5, Pernze
51702 Bergneustadt
Deutschland
Telefon +49 (0) 27 63-807-0
Telefax +49 (0) 27 63-807-77
E-mail verkauf@norwe.de
Internet www.norwe.de
www.norwe.eu

NORWE Inc.

P.O. Box 25 11
North Canton, OH 44720-0511
United States of America
Telefon +1-330 497-8113
Telefax +1-330 305-0592
E-mail usa@norwe.com
Internet www.norwe.com



Valid version of
data sheet online

QR Online-Version