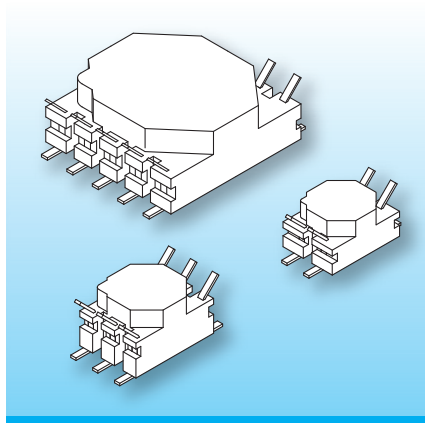


H-RG SMD Potting Boxes (ft)

The potting boxes (ft) are made in gfr Polyphenylene Sulfide PPS of type torA504 (RTI long-range temperature +130°C) and are suitable for reflow soldering. Pin material: tin bronze, tinned. Special materials – e.g. irradiated cross-linked – and designs on request, dimensions in mm/[inch](#).

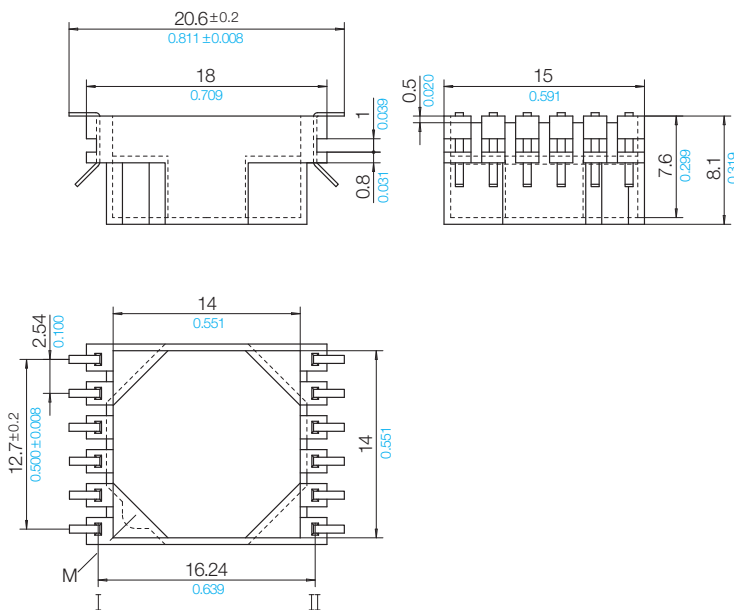


The potting boxes are for surface mounting, and are suitable for house filter chokes or ISDN transformers. The binding-on / soldering section of the terminal ft is at the top end which leaves the SMD side of the terminal free from tin. The boxes are suitable for low profile applications.

Type	Order-Code	Accessories
Potting Box: H-RG 14.0/14.0/8.1/12f-625-/torA504	66379-132	
Solder-pin: ft625-80/ub	75880-213	

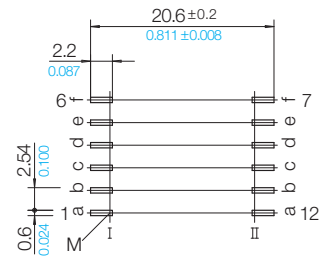
wound toroidal core

diameter \varnothing 14.0/ \varnothing 0.551
width 7.1/ \varnothing 0.280



Pin Connecting Surface

View pin-side



© 03/2014 by NORWE GmbH

Warranties:
refer to Terms and Conditions of Sale

NORWE GmbH

Postfach 13 56
51691 Bergneustadt
Paulstraße 5, Pernze
51702 Bergneustadt
Deutschland
Telefon +49 (0) 27 63-807-0
Telefax +49 (0) 27 63-807-77
E-mail verkauf@norwe.de
Internet www.norwe.de
www.norwe.eu

NORWE Inc.

P.O. Box 25 11
North Canton, OH 44720-0511
United States of America
Telefon +1-330 497-8113
Telefax +1-330 305-0592
E-mail usa@norwe.com
Internet www.norwe.com



Valid version of
data sheet online

QR Online-Version