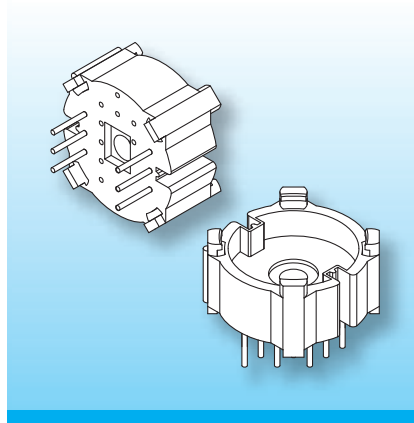


PC Connecting Boards


The connecting boards are made in gfr Polyethylene Terephthalate PET of type rtg nat. (RTI long-range temperature 155°C).

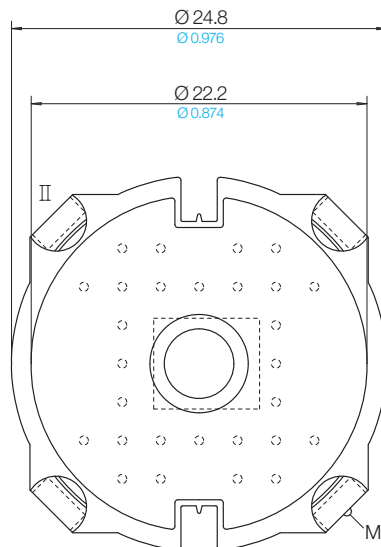
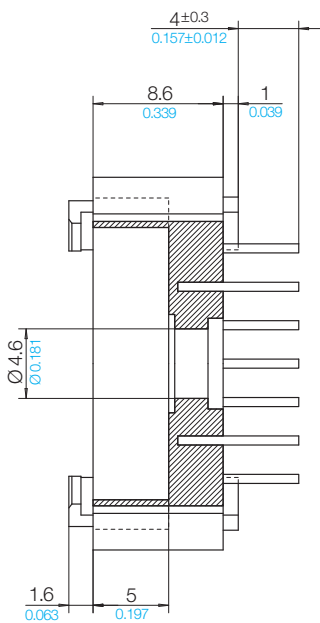
Pin material: tin bronze, tinned.
Maximum solder temperature 350°C, 2 sec.

Special materials – e.g. irradiated cross-linked – and designs on request, dimensions in mm/inch.

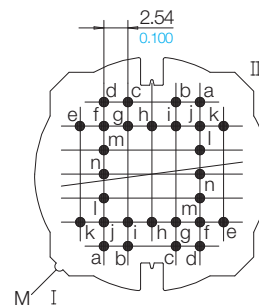


Binding-on of the wires to the connecting board can be done using the NORWE mandrel assembly. The wires are insulated to the ferrite core, routing through side-channels in the connecting board. A snap-in insulating cap completes the pot-core assembly.

Type	Order-Code	Accessories
Connecting Board: AT 22 x 13/-6/rtg Solder-pin: z608/ua	N0151-087  73264-212	Coilformers 22x13 Insulating Cap 22x13



Grid
View pin-side



© 02/2012 by NORWE GmbH

All dimensions in mm/inch

The permissible deviations according to DIN 16901 apply as tolerances

Warranties:
refer to Terms and Conditions of Sale

NORWE GmbH

Postfach 13 56
51691 Bergneustadt
Paulstraße 5, Pernze
51702 Bergneustadt
Deutschland
Telefon +49 (0) 27 63-807-0
Telefax +49 (0) 27 63-807-77
E-mail verkauf@norwe.de
Internet www.norwe.de
www.norwe.eu

NORWE Inc.

P.O. Box 25 11
North Canton, OH 44720-0511
United States of America
Telefon +1-330 497-8113
Telefax +1-330 305-0592
E-mail usa@norwe.com
Internet www.norwe.com