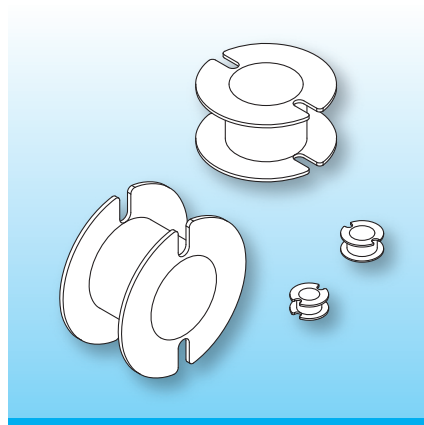


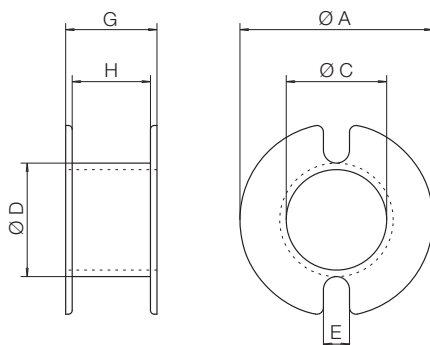
Single Section PC Coilformers

The coilformers are made in clear Polycarbonate of type pk3, (RTI long-range temperature +115°C). Special materials – e.g. irradiated cross-linked – and designs on request, dimensions in mm/inch.

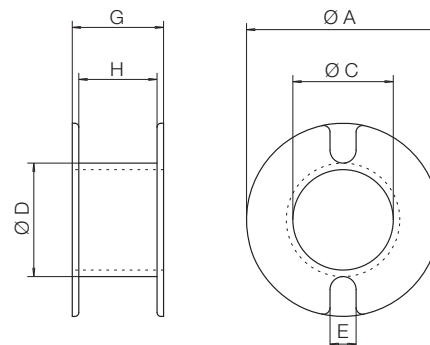


The coilformers – dimensions adopted from DIN EN 60133 (DIN 41294) – can be used designing low leakage inductors and are available for PC size 4,6x3,1 mm (0.181x0.122 inch) up to 70x42 mm (2.756x1.654 inch).

Type I	Order-Code		A	C	D	E	G	H
A 4.6 x 3.1 / pk3	N0160-065	on request	3.4 0.134	2.1 0.083	2.5 0.098	0.6 0.024	1.9 0.075	1.4 0.055
A 9 x 5 / pk3	11080-065		7.3 0.287	4.0 0.157	4.8 0.189	1.5 0.059	3.5 0.138	2.7 0.106
A 9 x 7 / pk3	N0161-065	on request	7.3 0.287	4.0 0.157	4.8 0.189	1.5 0.059	4.7 0.185	3.9 0.154
A 11 x 7 / pk3	11100-065		8.9 0.350	4.8 0.189	5.7 0.224	1.8 0.071	4.2 0.165	3.4 0.134
A 14 x 8 / pk3	11110-065		11.5 0.453	6.1 0.240	7.1 0.280	2.0 0.079	5.4 0.213	4.4 0.173
A 18 x 11 / pk3	11120-065		14.8 0.583	7.7 0.303	8.8 0.346	2.0 0.079	7.0 0.276	6.0 0.236
A 22 x 13 / pk3	11140-065		17.8 0.701	9.6 0.378	10.8 0.425	2.5 0.098	9.0 0.354	7.8 0.307
A 26 x 16 / pk3	11150-065		20.9 0.823	11.7 0.461	12.9 0.508	2.5 0.098	10.8 0.425	9.6 0.378
A 30 x 19 / pk3	11160-065		24.7 0.972	13.6 0.535	15.1 0.594	2.8 0.110	12.8 0.504	11.4 0.449



Type I



Type II

© 07/2019 by NORWE GmbH

Warranties:
refer to Terms and Conditions of Sale

NORWE GmbH

Postfach 13 56
51691 Bergneustadt
Paulstraße 5, Pernze
51702 Bergneustadt
Deutschland

Telefon +49 (0) 27 63-807-0
Telefax +49 (0) 27 63-807-77
E-mail verkauf@norwe.de
Internet www.norwe.de
www.norwe.eu

NORWE Inc.

P.O. Box 25 11
North Canton, OH 44720-0511
United States of America
Telefon +1-330 497-8113
Telefax +1-330 305-0592
E-mail usa@norwe.com
Internet www.norwe.com

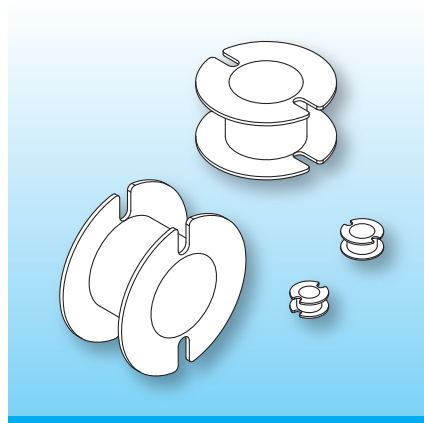


Valid version of
data sheet online

QR Online-Version

Single Section PC Coilformers

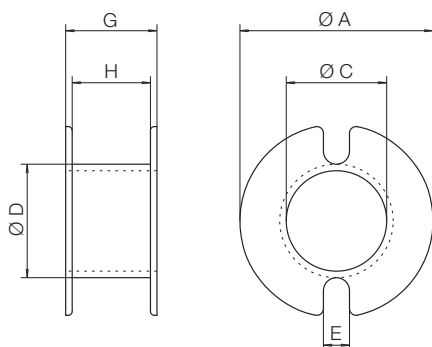
The coilformers are made in clear Polycarbonate of type pk3, (RTI long-range temperature +115°C). Special materials – e.g. irradiated cross-linked – and designs on request, dimensions in mm/inch.



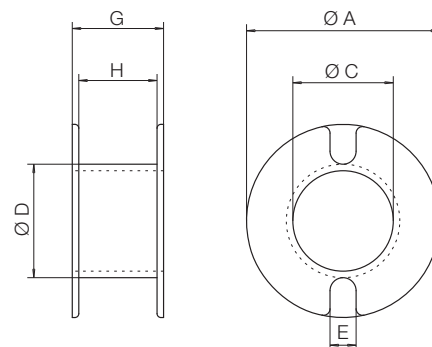
The coilformers – dimensions adopted from DIN EN 60133 (DIN 41294) – can be used designing low leakage inductors and are available for PC size 4,6x3,1 mm (0.181x0.122 inch) up to 70x42 mm (2.756x1.654 inch).

Type I	Order-Code	A	C	D	E	G	H
A 36 x 22 / pk3	11180-065	29.5 1.161	16.5 0.650	17.9 0.705	3.0 0.118	14.4 0.567	12.8 0.504
A 41 x 25 / pk3	11190-065	33.6 1.323	17.7 0.697	19.5 0.768	3.0 0.118	16.7 0.657	14.9 0.587
A 47 x 28 / pk3	11200-065	37.3 1.469	20.2 0.795	21.9 0.862	3.3 0.130	18.8 0.740	17.2 0.677
A 59 x 36 / pk3	11210-065	48.4 1.906	26.0 1.024	27.9 1.098	3.6 0.142	23.2 0.913	21.2 0.835
A 70 x 42 / pk3	11220-065	56.9 2.240	30.0 1.181	32.0 1.260	5.0 0.197	27.6 1.087	25.2 0.992

Type II	Order-Code	A	C	D	E	G	H
A 5.8 x 3.3 / pk3	90021-065	4.4 0.173	2.6 0.102	3.1 0.122	0.8 0.031	2.2 0.087	1.7 0.067
A 7 x 4 / pk3	90019-065	5.7 0.224	3.1 0.122	3.6 0.142	1.0 0.039	2.7 0.106	2.1 0.083



Type I



Type II

© 07/2019 by NORWE GmbH

Warranties:
refer to Terms and Conditions of Sale

NORWE GmbH

Postfach 13 56
51691 Bergneustadt
Paulstraße 5, Pernze
51702 Bergneustadt
Deutschland

Telefon +49 (0) 27 63-807-0
Telefax +49 (0) 27 63-807-77
E-mail verkauf@norwe.de
Internet www.norwe.de
www.norwe.eu

NORWE Inc.

P.O. Box 25 11
North Canton, OH 44720-0511
United States of America
Telefon +1-330 497-8113
Telefax +1-330 305-0592
E-mail usa@norwe.com
Internet www.norwe.com



Valid version of
data sheet online

QR Online-Version