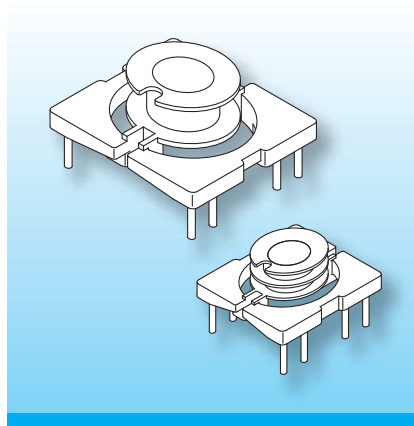


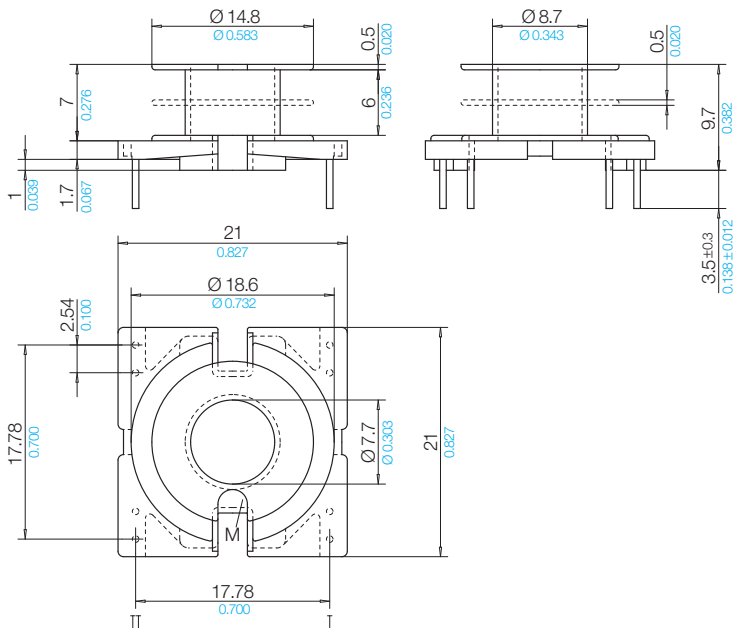
### PC Coilformers with integral Connecting Boards

The coilformers are made in gfr Polyethylene Terephthalate PET of type rtg nat. (RTI long-range temperature +155°C).  
Pin material: tin bronze, tinned.  
Maximum solder temperature 350°C, 2 sec.  
Special materials – e.g. irradiated cross-linked – and designs on request, dimensions in mm/inch.

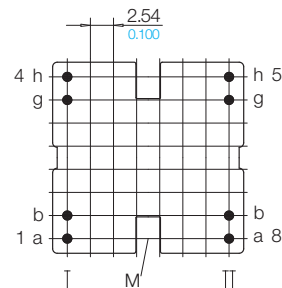


The coils in pot-core assemblies are almost totally enclosed by the ferrite cores, resulting in low leakage and low electromagnetic interference. The integral terminals and channels for routing the wires allow fully automated winding on NC-winding machines. "Stand-offs" allow clean soldering of the wires and of the coilformer onto the pcb.

Type	Order-Code	Accessories
Coilformers with integral Connecting Boards:		on request
PC-A 18 x 11/-6/rtg	16084-087	
PC-A 18 x 11/2k/-6/rtg	16089-087	
Solder-pin: z606/ua	73262-212	



### Grid View pin-side



#### © 02/2012 by NORWE GmbH

All dimensions in mm/inch

The permissible deviations according to DIN 16901 apply as tolerances

Warranties:  
refer to Terms and Conditions of Sale

#### NORWE GmbH

Postfach 13 56  
51691 Bergneustadt  
Paulstraße 5, Pernze  
51702 Bergneustadt  
Deutschland  
Telefon +49 (0) 27 63-807-0  
Telefax +49 (0) 27 63-807-77  
E-mail verkauf@norwe.de  
Internet www.norwe.de  
www.norwe.eu

#### NORWE Inc.

P.O. Box 25 11  
North Canton, OH 44720-0511  
United States of America  
Telefon +1-330 497-8113  
Telefax +1-330 305-0592  
E-mail usa@norwe.com  
Internet www.norwe.com