

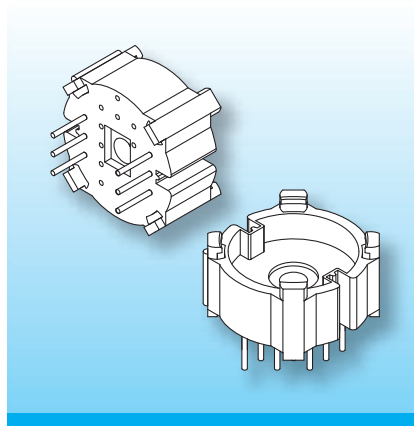
PC Connecting Boards

The connecting boards are made in gfr Polyethylene Terephthalate PET of type rtg nat. (RTI long-range temperature 155°C).

Pin material: tin bronze, tinned.

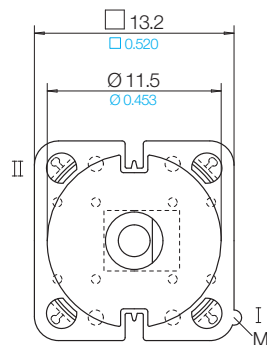
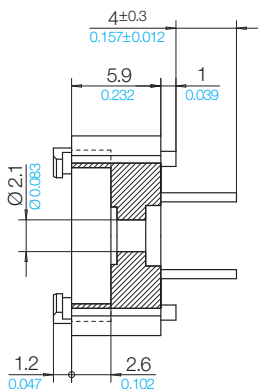
Maximum solder temperature 350°C, 2 sec.

Special materials – e.g. irradiated cross-linked – and designs on request, dimensions in mm/inch.

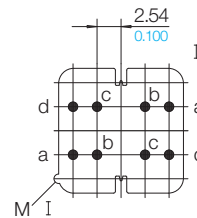


Binding-on of the wires to the connecting board can be done using the NORWE mandrel assembly. The wires are insulated to the ferrite core, routing through side-channels in the connecting board. A snap-in insulating cap completes the pot-core assembly.

Type	Order-Code	Accessories
Connecting Board: AT 11 x 7/-6/rtg Solder-pin: z607/ua	16010-087 73263-212	Coilformers 11x7 Insulating Cap 11x7



Grid
View pin-side



© 02/2012 by NORWE GmbH

All dimensions in mm/inch

The permissible deviations according to DIN 16901 apply as tolerances

Warranties:
refer to Terms and Conditions of Sale

NORWE GmbH

Postfach 13 56

51691 Bergneustadt

Paulstraße 5, Pernze

51702 Bergneustadt

Deutschland

Telefon +49 (0) 27 63-807-0

Telefax +49 (0) 27 63-807-77

E-mail verkauf@norwe.de

Internet www.norwe.de

www.norwe.eu

NORWE Inc.

P.O. Box 25 11

North Canton, OH 44720-0511

United States of America

Telefon +1-330 497-8113

Telefax +1-330 305-0592

E-mail usa@norwe.com

Internet www.norwe.com