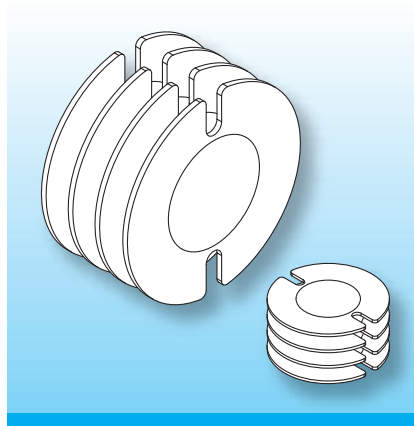


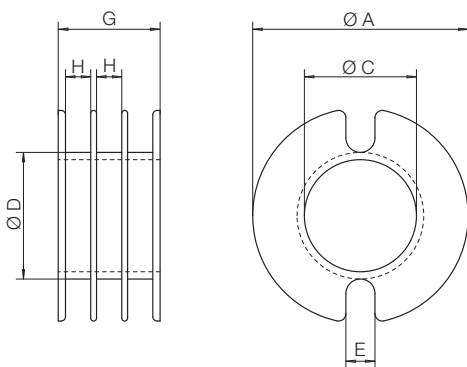
## Triple Section PC Coilformers

The coilformers are made in clear Polycarbonate of type pk3 (RTI long-range temperature +115°C). Special materials – e.g. irradiated cross-linked – and designs on request, dimensions in mm/*inch*.



The coilformers – dimensions adopted from DIN EN 60133 (DIN 41294) – can be used designing low leakage inductors and are available for PC size 14x8 mm (0.551x0.315 inch) up to 47x28 mm (1.85x1.102 inch).

Type	Order-Code	A	C	D	E	G	H
C 14 x 8 / pk3	1 1 1 1 2 - 0 6 5	11.5 0.453	6.1 0.240	7.1 0.280	2.0 0.079	5.4 0.213	1.2 0.047
C 18 x 11 / pk3	1 1 1 2 2 - 0 6 5	14.8 0.583	7.7 0.303	8.8 0.346	2.0 0.079	7.0 0.276	1.7 0.067
C 22 x 13 / pk3	1 1 1 4 2 - 0 6 5	17.8 0.701	9.6 0.378	10.8 0.425	2.5 0.098	9.0 0.354	2.2 0.087
C 26 x 16 / pk3	1 1 1 5 2 - 0 6 5	20.9 0.823	11.7 0.461	12.9 0.508	2.5 0.098	10.8 0.425	2.8 0.110
C 30 x 19 / pk3	1 1 1 6 2 - 0 6 5	24.8 0.976	13.7 0.539	15.0 0.591	3.0 0.118	12.8 0.504	3.4 0.134
C 36 x 22 / pk3	1 1 1 8 2 - 0 6 5	29.5 1.161	16.5 0.650	17.9 0.705	3.0 0.118	14.4 0.567	3.7 0.146
C 41 x 25 / pk3	1 1 1 9 2 - 0 6 5	33.6 1.323	17.7 0.697	19.5 0.768	3.0 0.118	16.7 0.657	4.3 0.169
C 47 x 28 / pk3	1 1 2 0 2 - 0 6 5	37.3 1.469	20.2 0.795	21.9 0.862	3.3 0.130	18.8 0.740	5.2 0.205



### © 02/2012 by NORWE GmbH

All dimensions in mm/inch

The permissible deviations according to DIN 16901 apply as tolerances

Warranties:  
refer to Terms and Conditions of Sale

### NORWE GmbH

Postfach 13 56  
51691 Bergneustadt

Paulstraße 5, Pernze  
51702 Bergneustadt

Deutschland

Telefon +49 (0) 27 63-807-0

Telefax +49 (0) 27 63-807-77

E-mail verkauf@norwe.de

Internet www.norwe.de  
www.norwe.eu

### NORWE Inc.

P.O. Box 25 11  
North Canton, OH 44720-0511

United States of America

Telefon +1-330 497-8113

Telefax +1-330 305-0592

E-mail usa@norwe.com

Internet www.norwe.com