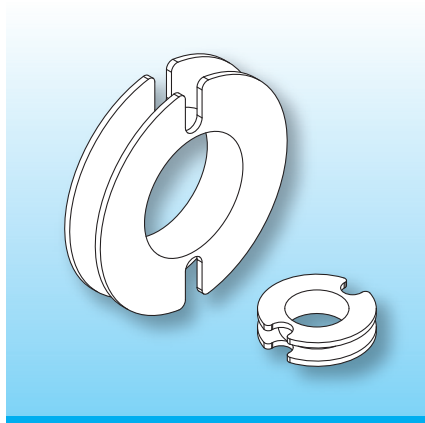


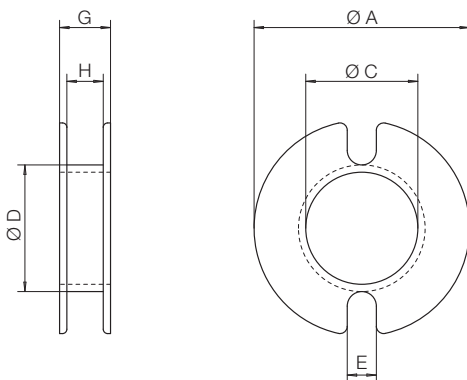
Half-Height PC Coilformers

The coilformers are made in clear Polycarbonate of type pk3 (RTI long-range temperature +115°C). Special materials – e.g. irradiated cross-linked – and designs on request, dimensions in mm/*inch*.



The half-height coilformers – dimensions adopted from DIN EN 60133 (DIN 41294) – are particularly suitable for proximity sensors, and are available for PC size 9x5 mm (0.354x0.197 inch) up to 70x42 mm (2.756x1.654 inch).

Type	Order-Code	A	C	D	E	G	H
1/2 A 9 x 5 / pk3	11087-065	7.3 0.287	4.0 0.157	4.8 0.189	1.5 0.059	1.8 0.071	1.2 0.047
1/2 A 9 x 7 / pk3	11097-065	7.3 0.287	4.0 0.157	4.8 0.189	1.5 0.059	2.3 0.091	1.5 0.059
1/2 A 11 x 7 / pk3	11107-065	8.9 0.350	4.8 0.189	5.7 0.224	1.8 0.071	2.1 0.083	1.3 0.051
1/2 A 14 x 8 / pk3	11117-065	11.5 0.453	6.1 0.240	7.1 0.280	2.0 0.079	2.7 0.106	1.7 0.067
1/2 A 18 x 11 / pk3	11127-065	14.8 0.583	7.7 0.303	8.8 0.346	2.0 0.079	3.5 0.138	2.5 0.098
1/2 A 22 x 13 / pk3	11147-065	17.8 0.701	9.7 0.382	10.8 0.425	2.5 0.098	4.5 0.177	3.3 0.130
1/2 A 26 x 16 / pk3	11157-065	20.9 0.823	11.7 0.461	12.9 0.508	2.5 0.098	5.4 0.213	4.2 0.165
1/2 A 30 x 19 / pk3	11167-065	24.7 0.972	13.6 0.535	15.1 0.594	2.8 0.110	6.4 0.252	5.0 0.197



© 02/2014 by NORWE GmbH

Warranties:
refer to Terms and Conditions of Sale

NORWE GmbH

Postfach 13 56
51691 Bergneustadt
Paulstraße 5, Pernze
51702 Bergneustadt
Deutschland

Telefon +49 (0) 27 63-807-0
Telefax +49 (0) 27 63-807-77
E-mail verkauf@norwe.de
Internet www.norwe.de
www.norwe.eu

NORWE Inc.

P.O. Box 25 11
North Canton, OH 44720-0511
United States of America
Telefon +1-330 497-8113
Telefax +1-330 305-0592
E-mail usa@norwe.com
Internet www.norwe.com

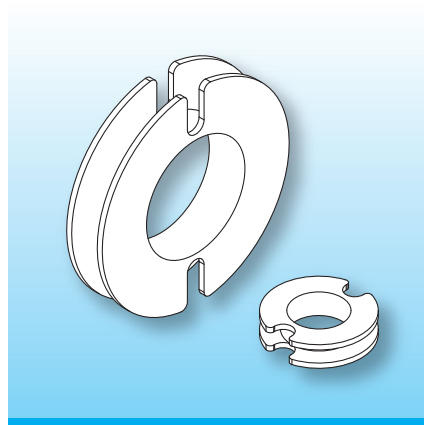


Valid version of
data sheet online

QR Online-Version

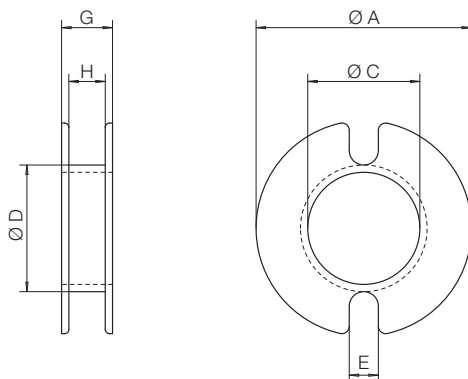
Half-Height PC Coilformers

The coilformers are made in clear Polycarbonate of type pk3 (RTI long-range temperature +115°C). Special materials – e.g. irradiated cross-linked – and designs on request, dimensions in mm/*inch*.



The half-height coilformers – dimensions adopted from DIN EN 60133 (DIN 41294) – are particularly suitable for proximity sensors, and are available for PC size 9x5 mm (0.354x0.197 inch) up to 70x42 mm (2.756x1.654 inch).

Type	Order-Code	A	C	D	E	G	H
1/2 A 36 x 22 / pk3	11187-065	29.5 1.161	16.5 0.650	17.9 0.705	3.0 0.118	7.2 0.283	5.6 0.220
1/2 A 41 x 25 / pk3	11197-065	33.6 1.323	17.7 0.697	19.5 0.768	3.0 0.118	8.4 0.331	6.5 0.256
1/2 A 47 x 28 / pk3	11207-065	37.3 1.469	20.2 0.795	21.9 0.862	3.3 0.130	9.4 0.370	7.7 0.303
1/2 A 59 x 36 / pk3	11217-065	48.4 1.906	26.0 1.024	27.9 1.098	3.6 0.142	11.6 0.457	9.5 0.374
1/2 A 70 x 42 / pk3	11227-065	57.0 2.244	30.0 1.181	32.0 1.260	5.0 0.197	13.8 0.543	11.4 0.449
1/3 A 70 x 42 / pk3	11228-065	57.0 2.244	30.0 1.181	32.0 1.260	3.5 0.138	8.8 0.346	7.0 0.276
1/4 A 70 x 42 / pk3	11229-065	57.0 2.244	30.0 1.181	32.0 1.260	8.0 0.315	7.0 0.276	5.0 0.197



© 02/2014 by NORWE GmbH

Warranties:
refer to Terms and Conditions of Sale

NORWE GmbH

Postfach 13 56
51691 Bergneustadt
Paulstraße 5, Pernze
51702 Bergneustadt
Deutschland

Telefon +49 (0) 27 63-807-0
Telefax +49 (0) 27 63-807-77
E-mail verkauf@norwe.de
Internet www.norwe.de
www.norwe.eu

NORWE Inc.

P.O. Box 25 11
North Canton, OH 44720-0511
United States of America
Telefon +1-330 497-8113
Telefax +1-330 305-0592
E-mail usa@norwe.com
Internet www.norwe.com



Valid version of
data sheet online

QR Online-Version