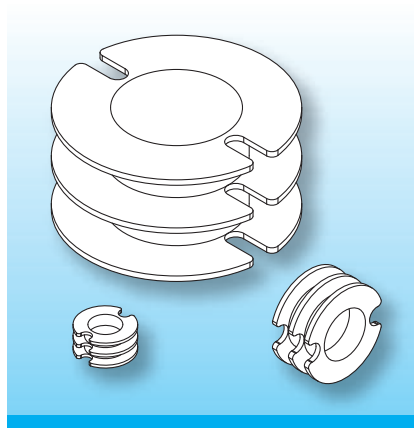


Double Section PC Coilformers

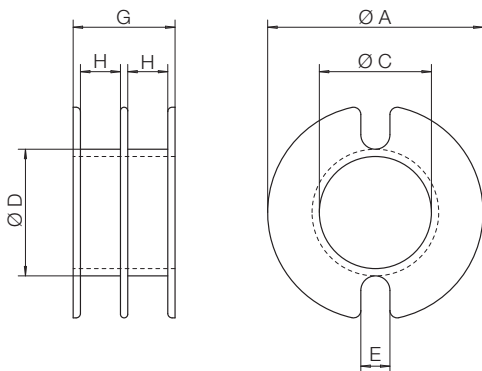
The coilformers are made in clear Polycarbonate of type pk3 (RTI long-range temperature +115°C). Special materials – e.g. irradiated cross-linked – and designs on request, dimensions in mm/*inch*.



The coilformers – dimensions adopted from DIN EN 60133 (DIN 41294) – can be used designing low leakage inductors and available for PC size 9x5 mm (0.354x0.197 inch) up to 70x42 mm (2.756x1.654 inch).

Type	Order-Code	A	C	D	E	G	H
B 9 x 5 / pk3	11081-065	7.3 0.287	4.0 0.157	4.8 0.189	1.5 0.059	3.5 0.138	1.2 0.047
B 9 x 7 / pk3	N0162-065	7.3 0.287	4.0 0.157	4.8 0.189	1.5 0.059	4.7 0.185	1.7 0.067
B 11 x 7 / pk3	11101-065	8.9 0.350	4.8 0.189	5.7 0.224	1.8 0.071	4.2 0.165	1.5 0.059
B 14 x 8 / pk3	11111-065	11.5 0.453	6.1 0.240	7.1 0.280	2.0 0.079	5.4 0.213	2.0 0.079
B 18 x 11 / pk3	11121-065	14.8 0.583	7.7 0.303	8.8 0.346	2.0 0.079	7.0 0.276	2.8 0.110
B 22 x 13 / pk3	11141-065	17.8 0.701	9.6 0.378	10.8 0.425	2.5 0.098	9.0 0.354	3.6 0.142
B 26 x 16 / pk3	11151-065	20.9 0.823	11.7 0.461	12.9 0.508	2.5 0.098	10.8 0.425	4.5 0.177
B 30 x 19 / pk3	11161-065	24.7 0.972	13.6 0.535	15.1 0.594	2.8 0.110	12.8 0.504	5.4 0.213

on request



© 02/2012 by NORWE GmbH

All dimensions in mm/inch

The permissible deviations according to DIN 16901 apply as tolerances

Warranties:
refer to Terms and Conditions of Sale

NORWE GmbH

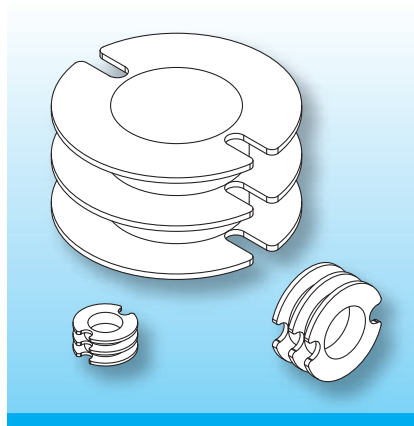
Postfach 13 56
51691 Bergneustadt
Paulstraße 5, Pernze
51702 Bergneustadt
Deutschland
Telefon +49 (0) 27 63-807-0
Telefax +49 (0) 27 63-807-77
E-mail verkauf@norwe.de
Internet www.norwe.de
www.norwe.eu

NORWE Inc.

P.O. Box 25 11
North Canton, OH 44720-0511
United States of America
Telefon +1-330 497-8113
Telefax +1-330 305-0592
E-mail usa@norwe.com
Internet www.norwe.com

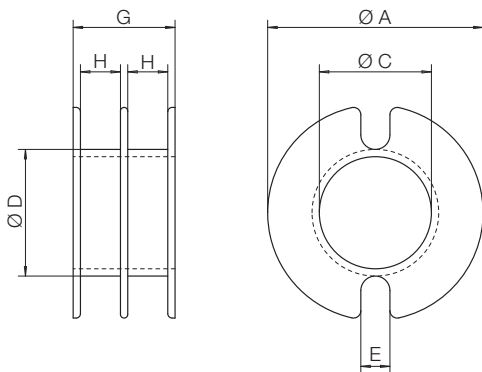
Double Section PC Coilformers

The coilformers are made in clear Polycarbonate of type pk3 (RTI long-range temperature +115°C). Special materials – e.g. irradiated cross-linked – and designs on request, dimensions in mm/*inch*.



The coilformers – dimensions adopted from DIN EN 60133 (DIN 41294) – can be used designing low leakage inductors and available for PC size 9x5 mm (0.354x0.197 inch) up to 70x42 mm (2.756x1.654 inch).

Type	Order-Code	A	C	D	E	G	H
B 36 x 22 / pk3	1 1181-065	29.5 1.161	16.5 0.650	17.9 0.705	3.0 0.118	14.4 0.567	6.0 0.236
B 41 x 25 / pk3	1 1191-065	33.6 1.323	17.7 0.697	19.5 0.768	3.0 0.118	16.7 0.657	7.0 0.276
B 47 x 28 / pk3	1 1201-065	37.3 1.469	20.2 0.795	21.9 0.862	3.3 0.130	18.8 0.740	8.2 0.323
B 59 x 36 / pk3	1 1211-065	48.4 1.906	26.0 1.024	27.9 1.098	3.6 0.142	23.2 0.913	10.1 0.398
B 70 x 42 / pk3	1 1221-065	56.9 2.240	30.0 1.181	32.0 1.260	5.0 0.197	27.6 1.087	12.0 0.472



© 02/2012 by NORWE GmbH

All dimensions in mm/inch

The permissible deviations according to DIN 16901 apply as tolerances

Warranties:
refer to Terms and Conditions of Sale

NORWE GmbH

Postfach 13 56
51691 Bergneustadt
Paulstraße 5, Pernze
51702 Bergneustadt
Deutschland
Telefon +49 (0) 27 63-807-0
Telefax +49 (0) 27 63-807-77
E-mail verkauf@norwe.de
Internet www.norwe.de
www.norwe.eu

NORWE Inc.

P.O. Box 25 11
North Canton, OH 44720-0511
United States of America
Telefon +1-330 497-8113
Telefax +1-330 305-0592
E-mail usa@norwe.com
Internet www.norwe.com