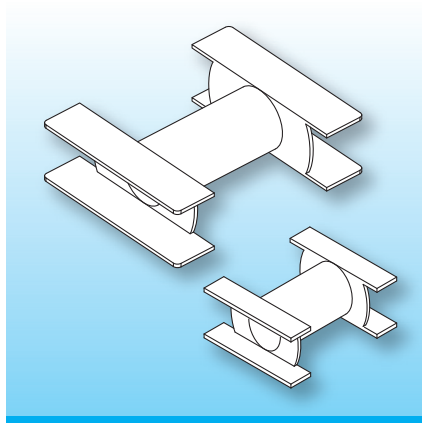



EC / CO Coilformers

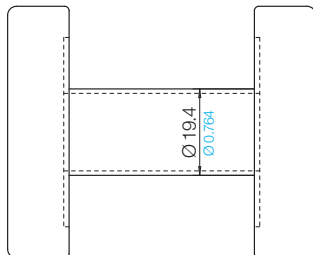
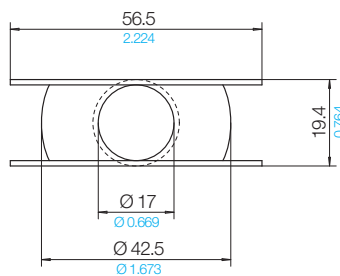
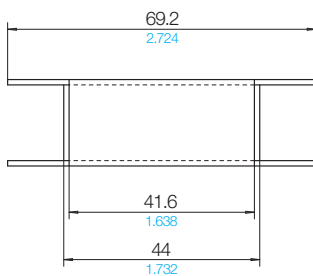
The coilformers are made in gfr Polyamide PA66 of type p6g (RTI long-range temperature +125°C). Special materials – e.g. irradiated cross-linked – and designs on request, dimensions in mm/inch.



The coilformers from size EC 35 to EC 120 with special design are suitable for winding with thick wires, flat wires, round- or profiled litz wires and foils.

When ordering please quote type and order-code.

Type	Order-Code	Accessories
Coilformer: EC 70/CO/p6g	N0175-024  on request	Spacer DR



05 B 0 K

© 08/2017 by NORWE GmbH

Warranties:
refer to Terms and Conditions of Sale

NORWE GmbH

Postfach 13 56
 51691 Bergneustadt
 Paulstraße 5, Pernze
 51702 Bergneustadt
 Deutschland
 Telefon +49 (0) 27 63-807-0
 Telefax +49 (0) 27 63-807-77
 E-mail verkauf@norwe.de
 Internet www.norwe.de
 www.norwe.eu

NORWE Inc.

P.O. Box 25 11
 North Canton, OH 44720-0511
 United States of America
 Telefon +1-330 497-8113
 Telefax +1-330 305-0592
 E-mail usa@norwe.com
 Internet www.norwe.com



Valid version of
data sheet online

QR Online-Version