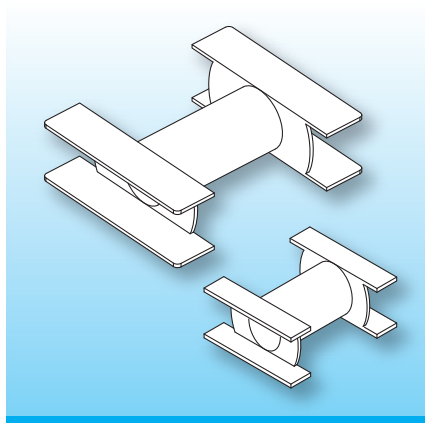


## EC / CO Coilformers

The coilformers are made in gfr Polyamide PA66 of type p6g (RTI long-range temperature +125° C). Special materials – e.g. irradiated cross-linked – and designs on request, dimensions in mm/*inch*.



The coilformers from size EC 35 to EC 120 with special design are suitable for winding with thick wires, flat wires, round- or profiled litz wires and foils.

When ordering please quote type and order-code.

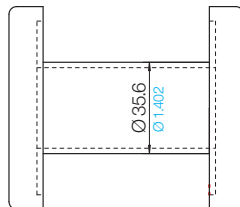
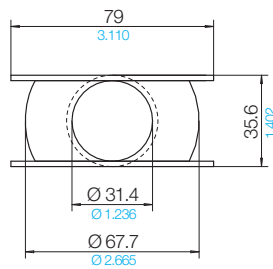
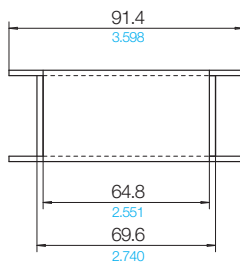
### Type

Coilformer: EC 90/CO/p6g

### Order-Code

N0143-024  on request

### Accessories



© 05/2017 by NORWE GmbH

Warranties:  
refer to Terms and Conditions of Sale

**NORWE GmbH**

Postfach 13 56  
51691 Bergneustadt  
Paulstraße 5, Pernze  
51702 Bergneustadt  
Deutschland

Telefon +49 (0) 27 63-807-0  
Telefax +49 (0) 27 63-807-77  
E-mail [verkauf@norwe.de](mailto:verkauf@norwe.de)  
Internet [www.norwe.de](http://www.norwe.de)  
[www.norwe.eu](http://www.norwe.eu)

**NORWE Inc.**

P.O. Box 25 11  
North Canton, OH 44720-0511  
United States of America  
Telefon +1-330 497-8113  
Telefax +1-330 305-0592  
E-mail [usa@norwe.com](mailto:usa@norwe.com)  
Internet [www.norwe.com](http://www.norwe.com)



Valid version of  
data sheet online

QR Online-Version