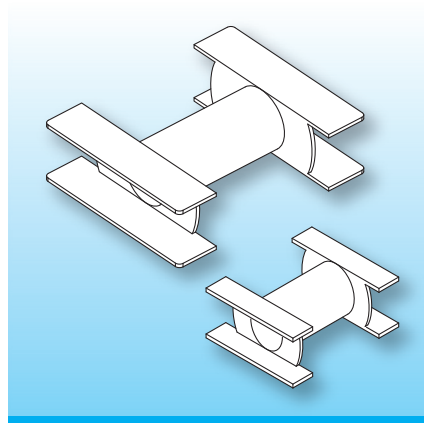


EC / CO Coilformers

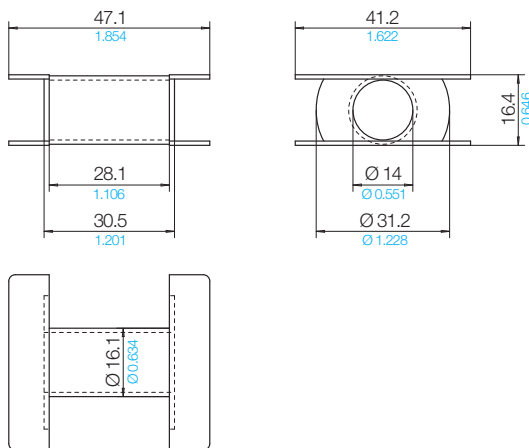
The coilformers are made in gfr Polyamide PA66 of type p6g (RTI long-range temperature +125° C). Special materials – e.g. irradiated cross-linked – and designs on request, dimensions in mm/inch.



The coilformers from size EC 35 to EC 120 with special design are suitable for winding with thick wires, flat wires, round- or profiled litz wires and foils.

When ordering please quote type and order-code.

Type	Order-Code	Accessories
Coilformer: EC 52/CO/p6g	90220-024	Clip FK-EC 52 Spacer DR



© 05/2017 by NORWE GmbH

Warranties:
refer to Terms and Conditions of Sale

NORWE GmbH

Postfach 13 56
51691 Bergneustadt
Paulstraße 5, Pernze
51702 Bergneustadt
Deutschland

Telefon +49 (0) 27 63-807-0
Telefax +49 (0) 27 63-807-77
E-mail verkauf@norwe.de
Internet www.norwe.de
www.norwe.eu

NORWE Inc.

P.O. Box 25 11
North Canton, OH 44720-0511
United States of America
Telefon +1-330 497-8113
Telefax +1-330 305-0592
E-mail usa@norwe.com
Internet www.norwe.com



Valid version of
data sheet online

QR Online-Version