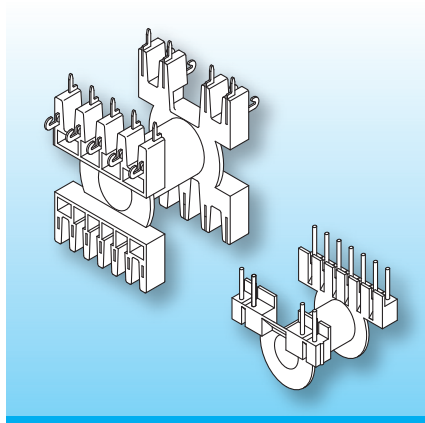


EC Coilformers, Horizontal

The coilformers are made in gfr Polyamide PA66 of Type p6g (RTI long-range temperature +125° C). Pin material is tin bronze, tinned for solder-pins and brass, tinned for solder-tags.

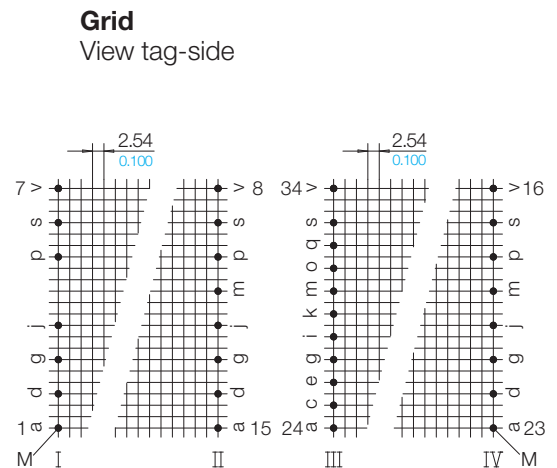
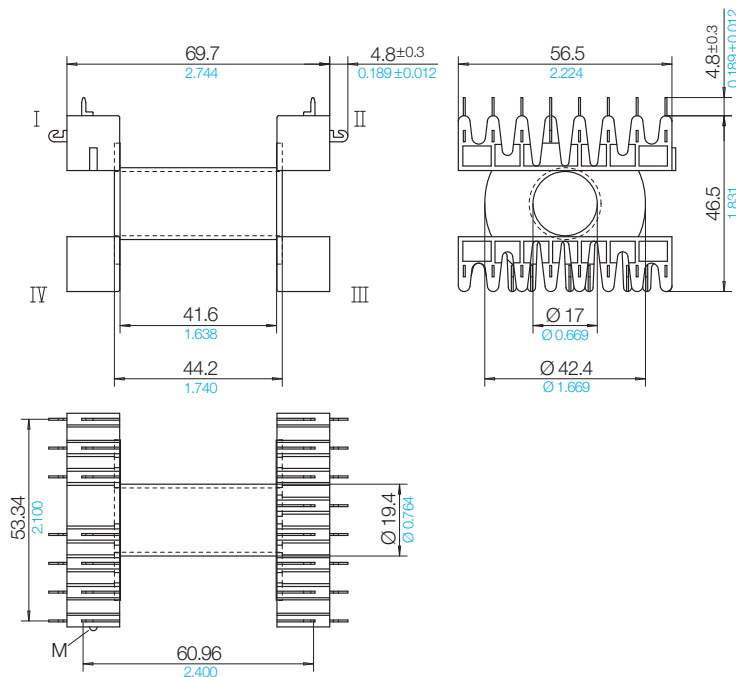
Maximum solder temperature 350° C, 2 sec.

Special materials – e.g. irradiated cross-linked – and designs on request, dimensions in mm/*inch*.



The coilformers are suitable for automatic winding on computer controlled machines. They are available with solder-pins in two different diameters. The coilformers have plastic stand-offs thus eliminating cold solder-joints when soldering into the pcb.

Type	Order-Code	Accessories
Coilformer: EC 70/ec-/hv/p6g Solder-tag: ech/wd	90217-024 75403-261	Spacer DR



05 B 2 M

© 08/2017 by NORWE GmbH

Warranties:
refer to Terms and Conditions of Sale

NORWE GmbH

Postfach 13 56
51691 Bergneustadt
Paulstraße 5, Pernze
51702 Bergneustadt

Deutschland

Telefon +49 (0) 27 63-807-0
Telefax +49 (0) 27 63-807-77
E-mail verkauf@norwe.de
Internet www.norwe.de
www.norwe.eu

NORWE Inc.

P.O. Box 25 11
North Canton, OH 44720-0511
United States of America

Telefon +1-330 497-8113
Telefax +1-330 305-0592
E-mail usa@norwe.com
Internet www.norwe.com

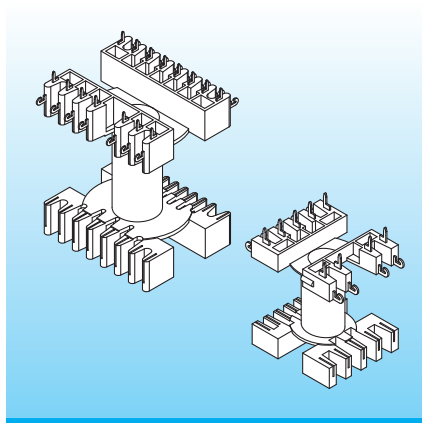


Valid version of
data sheet online

QR Online-Version

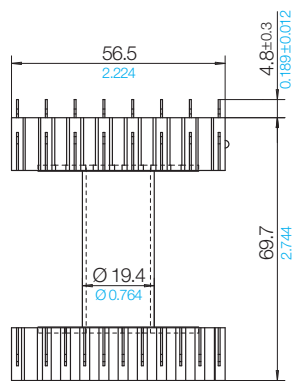
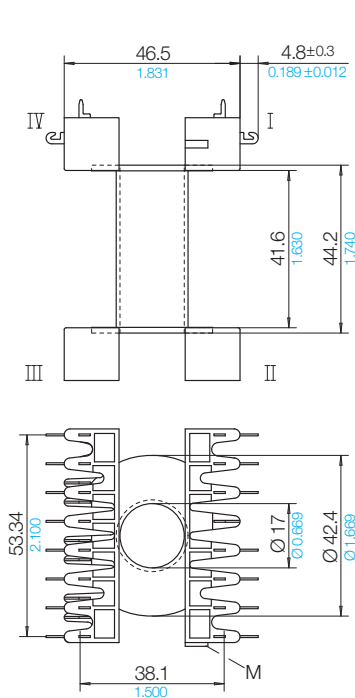
EC Coilformers, Vertical

The coilformers are made in gfr Polyamide PA66 of type p6g (RTI long-range temperature +125°C). Pin material is tin bronze, tinned for solder-pins and brass, tinned for solder-tags. Maximum solder temperature 350°C, 2 sec. Special materials – e.g. irradiated cross-linked – and designs on request, dimensions in mm/inch.

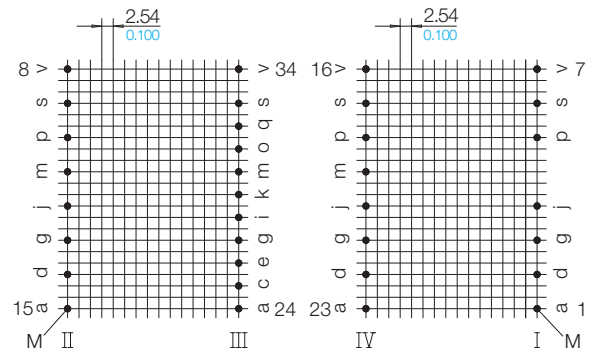


The coilformers are suitable for automatic winding on computer controlled machines. The EC solder-tags are for side-wrapping and soldering. Since the lower ends of the solder-tags fit cleanly into the pcb, cold solder-joints are eliminated.

Type	Order-Code	Accessories
Coilformer: EC 70/ec/hv/p6g Solder-tag: ecv/wd	90217-024 75401-261	Spacer DR



Grid
View tag-side



05 B 2 M

© 08/2017 by NORWE GmbH

Warranties:
refer to Terms and Conditions of Sale

NORWE GmbH

Postfach 13 56
51691 Bergneustadt
Paulstraße 5, Pernze
51702 Bergneustadt
Deutschland

Telefon +49 (0) 27 63-807-0
Telefax +49 (0) 27 63-807-77
E-mail verkauf@norwe.de
Internet www.norwe.de
www.norwe.eu

NORWE Inc.

P.O. Box 25 11
North Canton, OH 44720-0511
United States of America
Telefon +1-330 497-8113
Telefax +1-330 305-0592
E-mail usa@norwe.com
Internet www.norwe.com



Valid version of
data sheet online

QR Online-Version