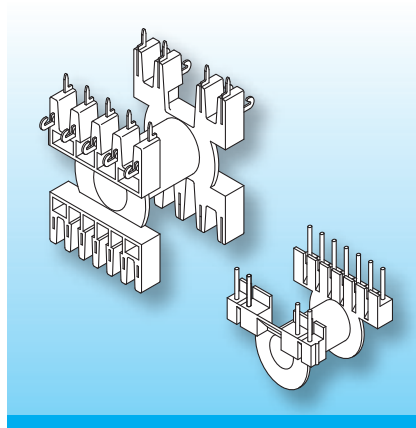


## EC Coilformers, Horizontal

The coilformers are made in gfr Polyamide PA66 of Type p6g (RTI long-range temperature +125°C). Pin material is tin bronze, tinned for solder-pins and brass, tinned for solder-tags.

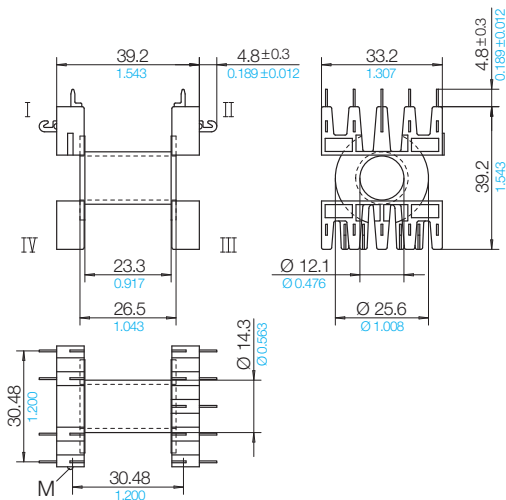
Maximum solder temperature 350°C, 2 sec.

Special materials – e.g. irradiated cross-linked – and designs on request, dimensions in mm/inch.

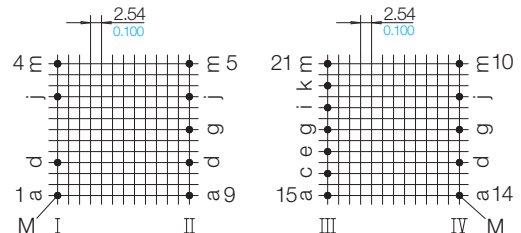


The coilformers are suitable for automatic winding on computer controlled machines. They are available with solder-pins in two different diameters. The coilformers have plastic stand-offs thus eliminating cold solder-joints when soldering into the pcb.

Type	Order-Code	Accessories
Coilformer: EC 41/ec-/hv/p6g Solder-tag: ech/wd	90215-024 75403-261	Clip FK-EC 41



**Grid**  
View tag-side



### © 12/2011 by NORWE GmbH

All dimensions in mm/inch

The permissible deviations according to DIN 16901 apply as tolerances

Warranties:  
refer to Terms and Conditions of Sale

### NORWE GmbH

Postfach 13 56  
51691 Bergneustadt  
Paulstraße 5, Pernze  
51702 Bergneustadt

Deutschland

Telefon +49 (0) 27 63-807-0  
Telefax +49 (0) 27 63-807-77  
E-mail verkauf@norwe.de  
Internet www.norwe.de  
www.norwe.eu

### NORWE Inc.

P.O. Box 25 11  
North Canton, OH 44720-0511  
United States of America

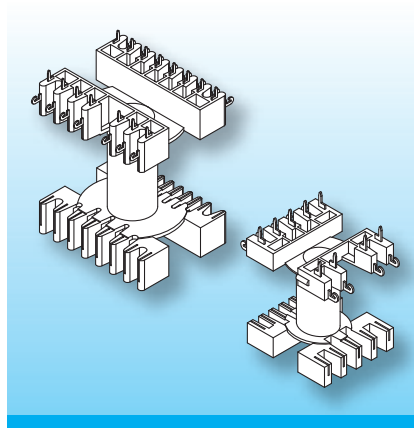
Telefon +1-330 497-8113  
Telefax +1-330 305-0592  
E-mail usa@norwe.com  
Internet www.norwe.com

## EC Coilformers, Vertical

The coilformers are made in gfr Polyamide PA66 of type p6g (RTI long-range temperature +125°C). Pin material is tin bronze, tinned for solder-pins and brass, tinned for solder-tags.

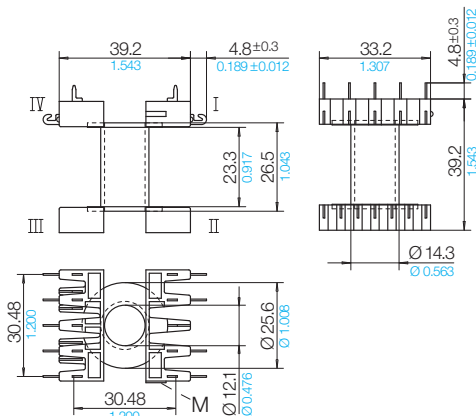
Maximum solder temperature 350°C, 2 sec.

Special materials – e.g. irradiated cross-linked – and designs on request, dimensions in mm/inch.

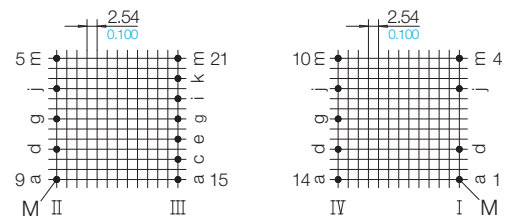


The coilformers are suitable for automatic winding on computer controlled machines. The EC solder-tags are for side-wrapping and soldering. Since the lower ends of the solder-tags fit cleanly into the pcb, cold solder-joints are eliminated.

Type	Order-Code	Accessories
Coilformer: EC 41/ec-/hv/p6g Solder-tag: ecv/wd	90215-024 75401-261	Clip FK-EC 41



**Grid**  
View tag-side



### © 12/2011 by NORWE GmbH

All dimensions in mm/inch

The permissible deviations according to DIN 16901 apply as tolerances

Warranties:  
refer to Terms and Conditions of Sale

### NORWE GmbH

Postfach 13 56  
51691 Bergneustadt  
Paulstraße 5, Pernze  
51702 Bergneustadt  
Deutschland  
Telefon +49 (0) 27 63-807-0  
Telefax +49 (0) 27 63-807-77  
E-mail verkauf@norwe.de  
Internet www.norwe.de  
www.norwe.eu

### NORWE Inc.

P.O. Box 25 11  
North Canton, OH 44720-0511  
United States of America  
Telefon +1-330 497-8113  
Telefax +1-330 305-0592  
E-mail usa@norwe.com  
Internet www.norwe.com