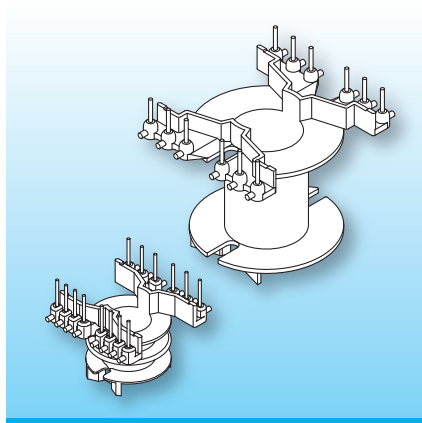



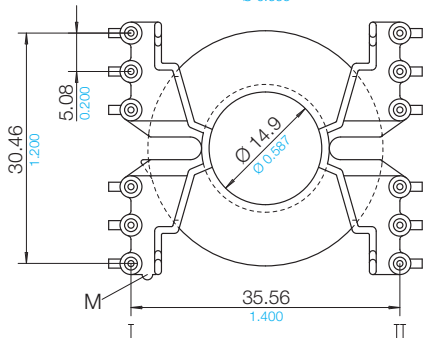
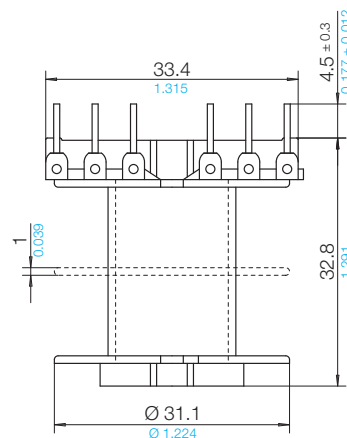
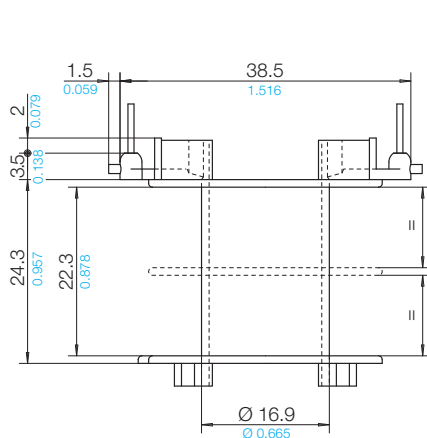
## PQ Coilformers with Dual-in-Line Solder-pins.

The coilformers are made in gfr Polyethylene Terephthalate PET of type SKYT.5220FR (long-range temperature +155°C). Pin material: tin bronze, tinned. Maximum solder temperature 350°C for up to 2 sec. (Special materials – for example radiated cross-linked – and designs on request. Dimensions in mm/*inch*).

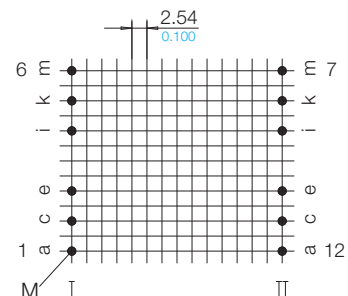


The coilformers with vertical axis are suitable for winding on the latest NC machines. The DIL pin configuration with radial "noses" ensures tension relieved axial binding-on of the wires. "Stand-offs" minimize cold-solder joints into the pcb.

Type	Order-Code	Accessories
Coilformer: PQ 35-35/1k/-8/mo/SKYT.5220FR	90369-186	on request
Coilformer: PQ 35-35/2k/-8/mo/SKYT.5220FR	N0509-186	 on request
Solder-pin: z809/ua	73295-212	



### Grid View pin-side



04 B 0 K

### © 09/2022 by NORWE GmbH

All dimensions in mm/inch

The permissible deviations according to DIN 16901 apply as tolerances

Warranties: refer to Terms and Conditions of Sale



Valid version of data sheet online

QR Online-Version

### NORWE GmbH

Paulstraße 5, Pernze  
 51702 Bergneustadt  
 Deutschland

Telefon +49 (0) 27 63-807-0  
 E-mail verkauf@norwe.de  
 Internet www.norwe.de  
 www.norwe.eu

### NORWE Inc.

P.O. Box 25 11  
 North Canton, OH 44720-0511  
 United States of America

Telefon +1-330 497-8113  
 E-mail usa@norwe.com  
 Internet www.norwe.com