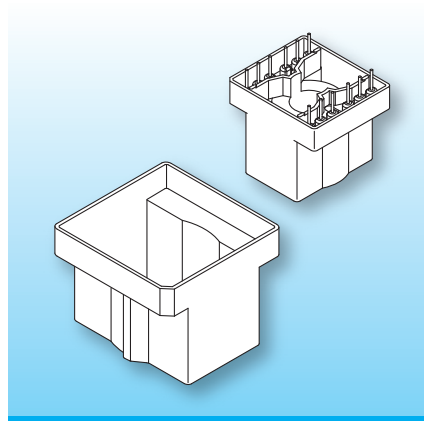


PQ Potting Boxes

The material used is gfr Polyamide PA66 of type A RV250 nat. (RTI long-range temperature +100° C). Special materials – e.g. irradiated cross-linked – and designs on request, dimensions in mm/inch.

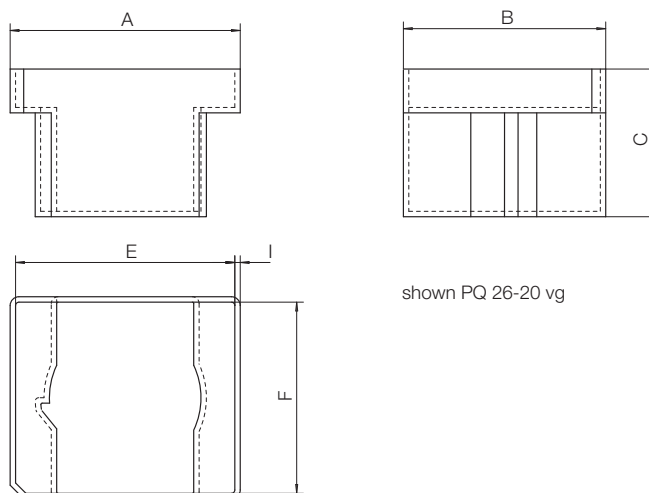
As part of the continuous expansion of the PQ-series – in response to requests from the industries – we now plan to add potting boxes to the list of products.



The PQ-components particularly feature a maximum of output power at a minimum of weight and required space. The dimensions of the potting boxes provide these features. All PQ coilformers with dual-in-line solder-pins are fitted with straight z6 pins and in large dimensions with z8 pins.

When ordering please quote type and order-code.

Type	Order-Code		A	B	C	E	G	H
PQ 16-11 vg/14.7/A RV250 nat.	N0229-106	on request	26.0 1.024	20.2 0.795	14.7 0.579	24.4 0.961	18.6 0.732	0.8 0.031
PQ 20-16 vg/19.9/A RV250 nat.	N0230-106	on request	28.5 1.122	23.5 0.925	19.9 0.783	26.9 1.059	25.1 0.988	0.8 0.031
PQ 20-20 vg/23.9/A RV250 nat.	N0231-106	on request	28.5 1.122	23.5 0.925	23.9 0.941	26.9 1.059	25.1 0.988	0.8 0.031
PQ 26-20 vg/22.3/A RV250 nat.	N0232-106	on request	34.0 1.339	29.9 1.177	22.3 0.878	32.4 1.276	28.3 1.114	0.8 0.031
PQ 26-25 vg/27.0/A RV250 nat.	N0233-106	on request	34.0 1.339	29.9 1.177	27.0 1.063	32.4 1.276	28.3 1.114	0.8 0.031
PQ 32-20 vg/22.9/A RV250 nat.	N0234-106	on request	39.4 1.551	35.1 1.382	22.9 0.902	37.4 1.472	33.1 1.303	1.0 0.039



© 03/2021 by NORWE GmbH

Warranties:
refer to Terms and Conditions of Sale



Valid version of
data sheet online

QR Online-Version

NORWE GmbH

Postfach 13 56
51691 Bergneustadt
Paulstraße 5, Pernze
51702 Bergneustadt
Deutschland

Telefon +49 (0) 27 63-807-0
Telefax +49 (0) 27 63-807-77
E-mail verkauf@norwe.de
Internet www.norwe.de
www.norwe.eu

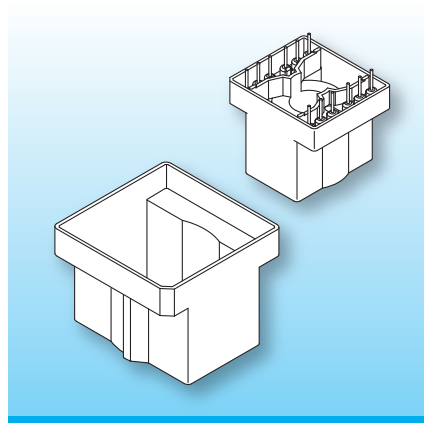
NORWE Inc.

P.O. Box 25 11
North Canton, OH 44720-0511
United States of America
Telefon +1-330 497-8113
Telefax +1-330 305-0592
E-mail usa@norwe.com
Internet www.norwe.com

PQ Potting Boxes

The material used is gfr Polyamide PA66 of type A RV250 nat. (RTI long-range temperature +100° C). Special materials – e.g. irradiated cross-linked – and designs on request, dimensions in mm/inch.

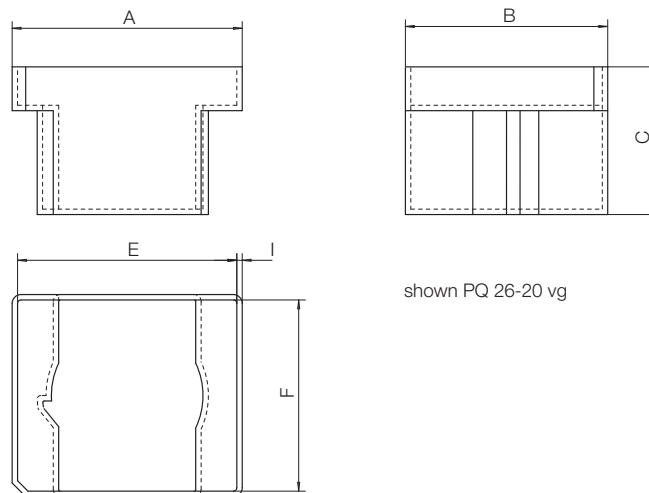
As part of the continuous expansion of the PQ-series – in response to requests from the industries – we now plan to add potting boxes to the list of products.



The PQ-components particularly feature a maximum of output power at a minimum of weight and required space. The dimensions of the potting boxes provide these features. All PQ coilformers with dual-in-line solder-pins are fitted with straight z6 pins and in large dimensions with z8 pins.

When ordering please quote type and order-code.

Type	Order-Code		A	B	C	E	G	H
PQ 32-30 vg/32.7/A RV250 nat.	N0235-106	on request	39.4 1.551	35.1 1.382	32.7 1.287	37.4 1.472	33.1 1.303	1.0 0.039
PQ 35-25 vg/26.9/A RV250 nat.	N0236-106	on request	44.5 1.752	38.5 1.516	26.9 1.059	42.5 1.673	36.3 1.429	1.0 0.039
PQ 35-35 vg/36.7/A RV250 nat.	N0237-106	on request	44.5 1.752	38.5 1.516	36.7 1.445	42.5 1.673	36.3 1.429	1.0 0.039
PQ 40-40 vg/41.5/A RV250 nat.	N0238-106	on request	47.0 1.850	44.0 1.732	41.5 1.634	45.0 1.772	42.0 1.654	1.0 0.039
PQ 50-50 vg/51.2/A RV250 nat.	N0239-106	on request	54.6 2.150	53.1 2.091	51.2 2.016	52.6 2.071	51.1 2.012	1.0 0.039



© 03/2021 by NORWE GmbH

Warranties:
refer to Terms and Conditions of Sale

NORWE GmbH

Postfach 13 56
51691 Bergneustadt
Paulstraße 5, Pernze
51702 Bergneustadt
Deutschland

Telefon +49 (0) 27 63-807-0
Telefax +49 (0) 27 63-807-77
E-mail verkauf@norwe.de
Internet www.norwe.de
www.norwe.eu

NORWE Inc.

P.O. Box 25 11
North Canton, OH 44720-0511
United States of America
Telefon +1-330 497-8113
Telefax +1-330 305-0592
E-mail usa@norwe.com
Internet www.norwe.com



Valid version of
data sheet online

QR Online-Version