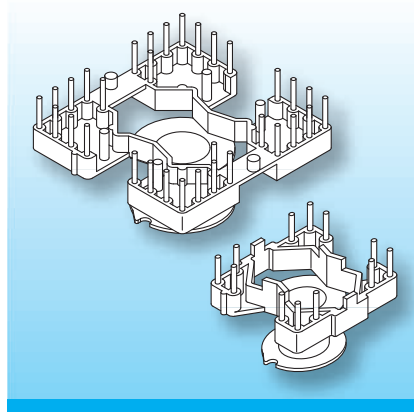


RM Power Conversion 45°, Specials

The coilformers are made in gfr Polyamide PA66 of type p6g (RTI long-range temperature +125° C).
Pin material: tin bronze, tinned.
Maximum solder temperature 350° C, 2 sec.
Special materials – eg. irradiated cross-linked – and designs on request, dimensions in mm/*inch*.



The pin layout on the lower flange of these specially designed coilformers allows simultaneous binding-on and winding of two wires (bi-filar).

Compared with standard RM-coilformers, 12–32 solder-pins are available. In addition, winding and soldering can be done fully automatic.

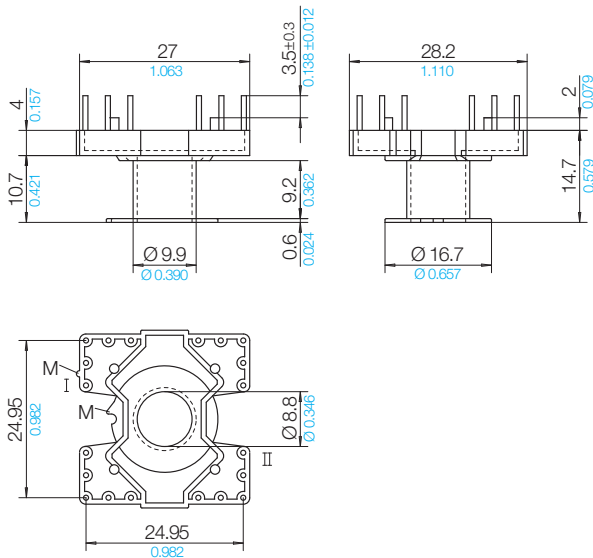
Type

Coilformer: RM 8/1k/20-8/p6g
Solder-pin: z809/ua

Order-Code

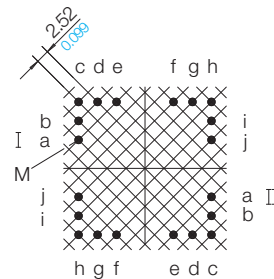
90033-024
73295-212

Accessories



Grid

View pin-side



© 11/2011 by NORWE GmbH

All dimensions in mm/*inch*

The permissible deviations according to DIN 16901 apply as tolerances

Warranties:
refer to Terms and Conditions of Sale

NORWE GmbH

Postfach 13 56
51691 Bergneustadt
Paulstraße 5, Pernze
51702 Bergneustadt
Deutschland
Telefon +49 (0) 27 63-807-0
Telefax +49 (0) 27 63-807-77
E-mail verkauf@norwe.de
Internet www.norwe.de
www.norwe.eu

NORWE Inc.

P.O. Box 25 11
North Canton, OH 44720-0511
United States of America
Telefon +1-330 497-8113
Telefax +1-330 305-0592
E-mail usa@norwe.com
Internet www.norwe.com