

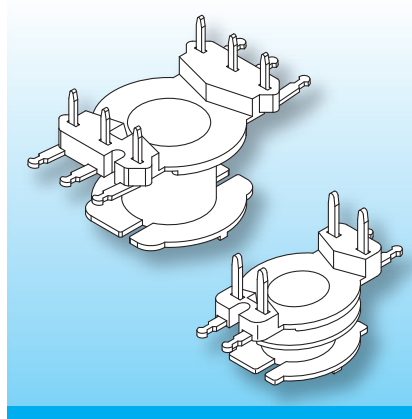
Standard RM 45° with Dual-in-Line solder-tags

The coilformers are made in gfr Polybutylene Terephthalate PBT of type pcg (RTI long-range temperature +130° C).

Tag material: brass, tinned.

Maximum solder temperature 350° C, 2 sec.

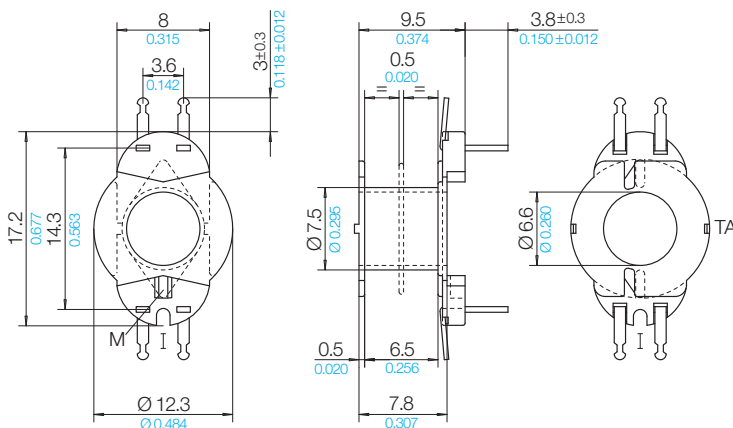
Special materials – eg. irradiated cross-linked – and designs on request, dimensions in mm/inch.



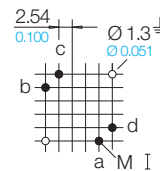
The coilformers have up to 3 solder-tags dual-in-line. Binding-on can be done radially. Tension relief for thin wire or litz is achieved by bending the tag-sides towards the winding section.

A tolerance-compensator (TA) on the top flange eliminates the normally used spring-washer.

Type	Order-Code	Accessories
Coilformer: RM 6/1k/4-s/pcg	60170-047	
Coilformer: RM 6/2k/4-s/pcg	60171-047	
Solder-tag: s2/wd	75010-261	



Grid View tag-side



© 09/2012 by NORWE GmbH

All dimensions in mm/inch

The permissible deviations according to DIN 16901 apply as tolerances

Warranties:
refer to Terms and Conditions of Sale



Valid version of
data sheet online

QR Online-Version

NORWE GmbH

Postfach 13 56
51691 Bergneustadt
Paulstraße 5, Pernze
51702 Bergneustadt

Deutschland

Telefon +49 (0) 27 63-807-0
Telefax +49 (0) 27 63-807-77
E-mail verkauf@norwe.de
Internet www.norwe.de
www.norwe.eu

NORWE Inc.

P.O. Box 25 11
North Canton, OH 44720-0511
United States of America

Telefon +1-330 497-8113
Telefax +1-330 305-0592
E-mail usa@norwe.com
Internet www.norwe.com