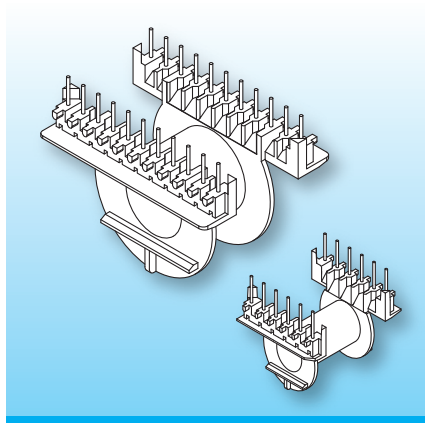



## EER Coilformers Horizontal

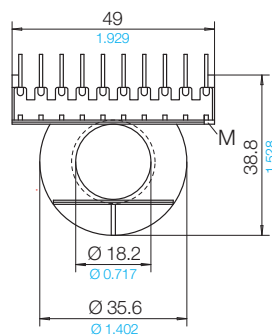
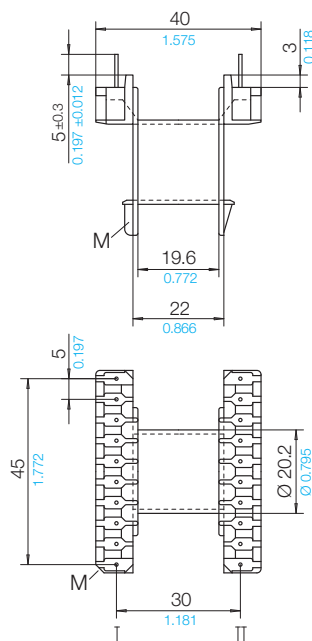
The coilformers are made in gfr Polyethylene Terephthalate PET of type SKYT.5220FR (RTI long-range temperature +155° C).  
Pin material is tin bronze, tinned.  
Max. solder temperature +350° C, 2 sec.  
Special materials – e.g. irradiated cross-linked – and designs on request, dimensions in mm/inch.



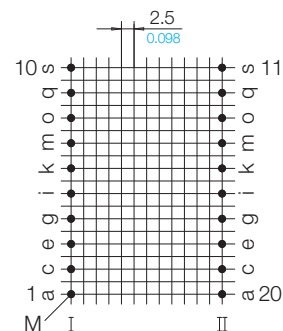
The coilformers are available in the latest design with solder-pins.

For each application the most suitable solution – inform yourself about the individual qualities of the different designs on catalogue-informations.

Type	Order-Code	Accessories
Coilformer: EER 48/h20/-8/SKYT.5220FR Solder-pin: z812/ua	N0036-186  on request 73298-212	on request



### Grid View pin-side



02 A 0 K

### © 10/2022 by NORWE GmbH

All dimensions in mm/inch

The permissible deviations according to DIN 16901 apply as tolerances

Warranties:  
refer to Terms and Conditions of Sale



Valid version of  
data sheet online

QR Online-Version

### NORWE GmbH

Paulstraße 5, Pernze  
51702 Bergneustadt  
Deutschland

Telefon +49 (0) 27 63-807-0  
E-mail verkauf@norwe.de  
Internet www.norwe.de  
www.norwe.eu

### NORWE Inc.

P.O. Box 25 11  
North Canton, OH 44720-0511  
United States of America

Telefon +1-330 497-8113  
E-mail usa@norwe.com  
Internet www.norwe.com