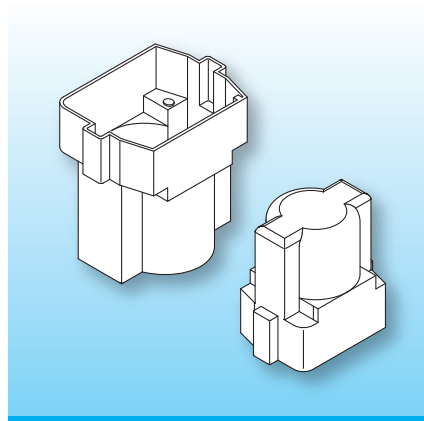


ETD Potting Boxes

Vertical

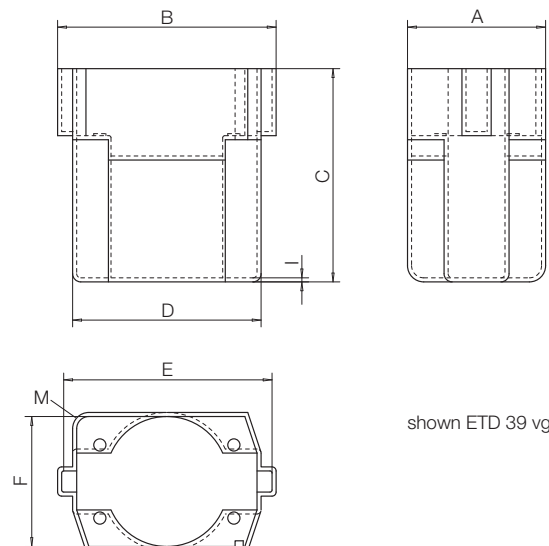
The material used is gfr Polyamide PA66 of type A RV250 nat. (RTI long-range temperature +100° C). Special materials – e.g. irradiated cross-linked – and designs on request, dimensions in mm/inch.



The boxes are suitable as enclosures for vertical ETD coilformers. (Not suitable for ETD coilformers with side-wrapping pins/tags).

When ordering please quote type and order-code.

Type	Order-Code		A	B	C	D	E	F	I
ETD 19 vg/37.0/A RV250 nat.	N0065-106	on request	23.1 0.909	33.4 1.315	37.0 1.457	26.6 1.047	31.4 1.236	21.5 0.846	0.8 0.031
ETD 24 vg/38.4/A RV250 nat.	N0066-106	on request	25.6 1.008	38.4 1.512	38.4 1.512	31.6 1.244	36.4 1.433	24.0 0.945	0.8 0.031
ETD 29 vg/44.5/A RV250 nat.	93129-106		29.0 1.142	44.3 1.744	44.5 1.752	37.2 1.465	42.3 1.665	27.0 1.063	1.0 0.039
ETD 34 vg/47.5/A RV250 nat.	N0067-106	on request	31.4 1.236	48.8 1.921	47.5 1.870	41.4 1.630	46.8 1.843	29.4 1.157	1.0 0.039
ETD 39 vg/52.5/A RV250 nat.	93131-106		34.0 1.33	53.8 2.118	52.5 2.067	46.4 1.827	51.8 2.039	32.0 1.260	1.0 0.039



© 10/2021 by NORWE GmbH

All dimensions in mm/inch

The permissible deviations according to DIN 16901 apply as tolerances

Warranties:
refer to Terms and Conditions of Sale



Valid version of
data sheet online

QR Online-Version

NORWE GmbH

Paulstraße 5, Pernze
51702 Bergneustadt
Deutschland

Telefon +49 (0) 27 63-807-0
E-mail verkauf@norwe.de
Internet www.norwe.de
www.norwe.eu

NORWE Inc.

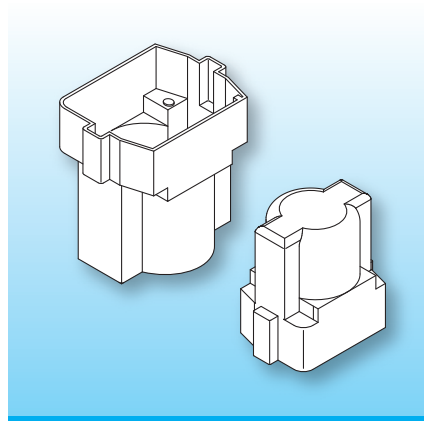
P.O. Box 25 11
North Canton, OH 44720-0511
United States of America

Telefon +1-330 497-8113
E-mail usa@norwe.com
Internet www.norwe.com

ETD Potting Boxes

Vertical

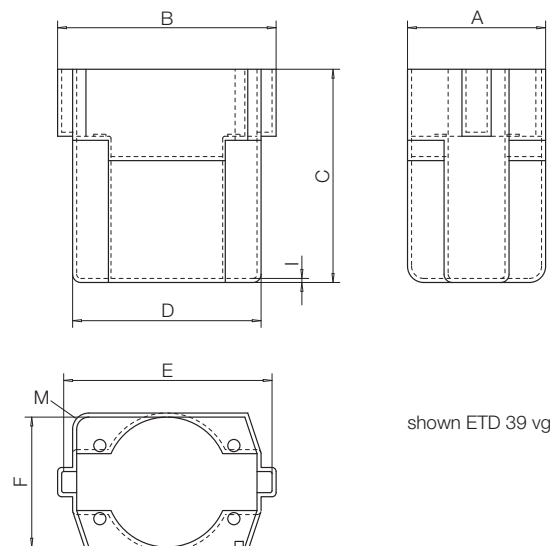
The material used is gfr Polyamide PA66 of type A RV250 nat. (RTI long-range temperature +100° C). Special materials – e.g. irradiated cross-linked – and designs on request, dimensions in mm/*inch*.



The boxes are suitable as enclosures for vertical ETD coilformers. (Not suitable for ETD coilformers with side-wrapping pins/tags).

When ordering please quote type and order-code.

Type	Order-Code	A	B	C	D	E	F	I
ETD 44 vg/56.5/A RV250 nat.	93132-106	37.0 1.457	58.8 2.315	56.5 2.224	51.4 2.024	56.8 2.236	35.0 1.378	1.0 0.039
ETD 49 vg/60.5/A RV250 nat.	N0068-106	40.5 1.594	63.8 2.512	60.5 2.382	56.4 2.220	61.8 2.433	38.5 1.516	1.0 0.039
ETD 54 vg/65.0/A RV250 nat.	N0030-106	43.0 1.693	70.1 2.760	65.0 2.559	62.6 2.465	68.1 2.681	41.0 1.614	1.0 0.039
ETD 59 vg/71.0/A RV250 nat.	N0031-106	46.0 1.811	75.5 2.972	71.0 2.795	68.0 2.677	73.5 2.894	44.0 1.732	1.0 0.039



© 10/2021 by NORWE GmbH

All dimensions in mm/inch

The permissible deviations according to DIN 16901 apply as tolerances

Warranties:
refer to Terms and Conditions of Sale



Valid version of data sheet online

QR Online-Version

NORWE GmbH

Paulstraße 5, Pernze
51702 Bergneustadt
Deutschland

Telefon +49 (0) 27 63-807-0
E-mail verkauf@norwe.de
Internet www.norwe.de
www.norwe.eu

NORWE Inc.

P.O. Box 25 11
North Canton, OH 44720-0511
United States of America
Telefon +1-330 497-8113
E-mail usa@norwe.com
Internet www.norwe.com