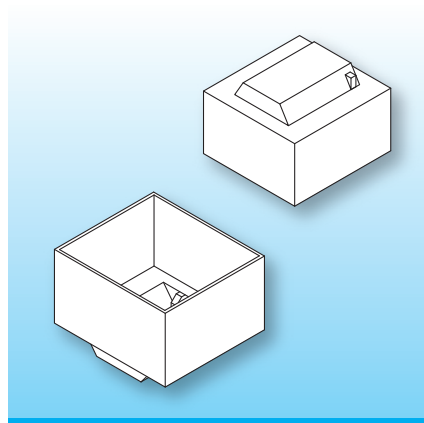


ETD Ir Potting Boxes Horizontal

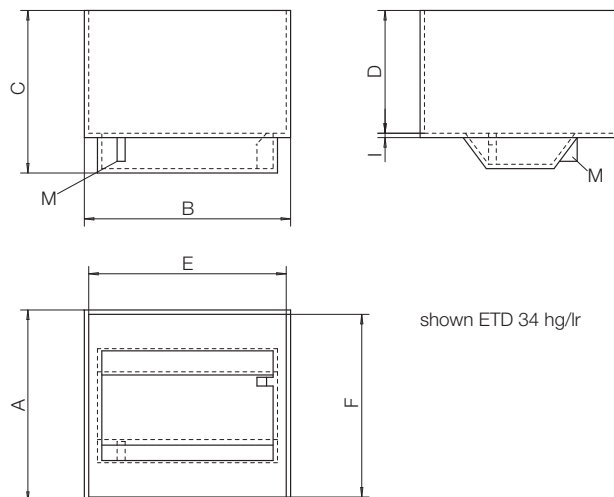
The material used is gfr Polyamide PA66 of type A RV250 nat. (RTI long-range temperature +100° C). Special materials – e.g. irradiated cross-linked – and designs on request, dimensions in mm/*inch*.



The potting boxes with a height reduced by about 3 mm/*0.118 inch* are specially suitable for the new design of coilformers ETD Ir which feature a minimized weight and overall height.

When ordering please quote type and order-code.

Type	Order-Code		A	B	C	D	E	F	I
ETD 19 hg/lr/19.8/A RV250 nat.	N0023-106	on request	26.1 1.028	34.6 1.362	19.8 0.780	15.3 0.602	33.0 1.299	24.5 0.965	0.8 0.031
ETD 24 hg/lr/22.2/A RV250 nat.	N0024-106	on request	31.1 1.224	35.6 1.402	22.2 0.874	16.5 0.650	34.0 1.339	29.5 1.161	0.8 0.031
ETD 29 hg/lr/29.0/A RV250 nat.	93725-106		37.2 1.465	39.2 1.543	28.8 1.134	22.1 0.870	37.2 1.465	35.2 1.386	1.0 0.039
ETD 34 hg/lr/31.4/A RV250 nat.	93726-106		41.0 1.614	42.4 1.669	31.4 1.236	23.3 0.917	40.4 1.591	39.0 1.535	1.0 0.039
ETD 39 hg/lr/34.2/A RV250 nat.	93727-106		45.8 1.803	47.2 1.858	35.7 1.406	26.6 1.047	45.2 1.780	43.8 1.724	1.0 0.039



© 10/2021 by NORWE GmbH

All dimensions in mm/inch

The permissible deviations according to DIN 16901 apply as tolerances

Warranties:
refer to Terms and Conditions of Sale



Valid version of
data sheet online

QR Online-Version

NORWE GmbH

Paulstraße 5, Pernze
51702 Bergneustadt
Deutschland

Telefon +49 (0) 27 63-807-0
E-mail verkauf@norwe.de
Internet www.norwe.de
www.norwe.eu

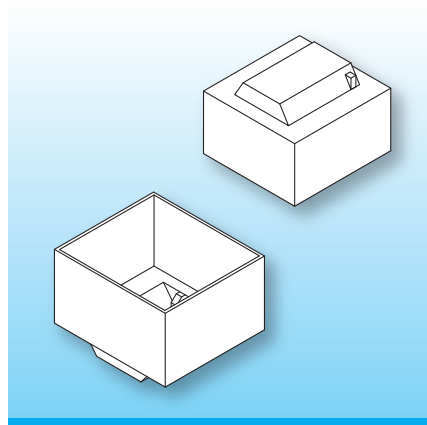
NORWE Inc.

P.O. Box 25 11
North Canton, OH 44720-0511
United States of America

Telefon +1-330 497-8113
E-mail usa@norwe.com
Internet www.norwe.com

ETD Ir Potting Boxes Horizontal

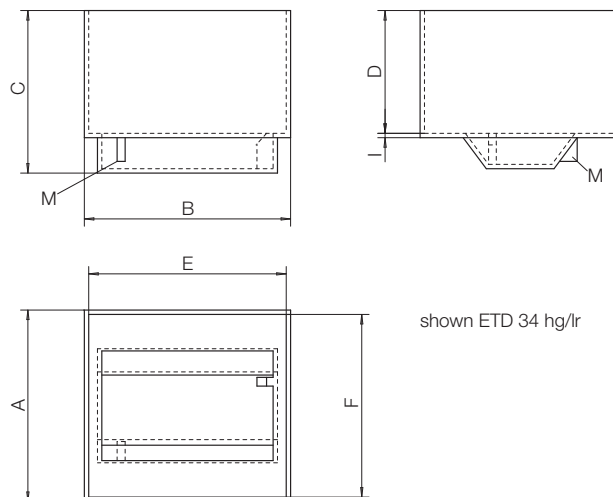
The material used is gfr Polyamide PA66 of type A RV250 nat. (RTI long-range temperature +100° C). Special materials – e.g. irradiated cross-linked – and designs on request, dimensions in mm/*inch*.



The potting boxes with a height reduced by about 3 mm/0.118 inch are specially suitable for the new design of coilformers ETD Ir which feature a minimized weight and overall height.

When ordering please quote type and order-code.

Type	Order-Code	A	B	C	D	E	F	I
ETD 44 hg/lr/37.0/A RV250 nat.	93728-106	51.0 2.008	52.4 2.063	39.0 1.535	29.4 1.157	50.4 1.984	49.0 1.929	1.0 0.039
ETD 49 hg/lr/39.7/A RV250 nat.	N0027-106	56.2 2.213	57.4 2.260	39.7 1.563	28.8 1.134	55.4 2.181	54.2 2.134	1.0 0.039
ETD 54 hg/lr/43.5/A RV250 nat.	N0028-106	63.5 2.500	62.4 2.457	43.5 1.713	31.8 1.252	60.4 2.378	61.5 2.421	1.0 0.039
ETD 59 hg/lr/46.4/A RV250 nat.	N0029-106	68.9 2.713	67.4 2.654	46.4 1.827	34.3 1.350	65.4 2.575	66.9 2.634	1.0 0.039



© 10/2021 by NORWE GmbH

All dimensions in mm/inch

The permissible deviations according to DIN 16901 apply as tolerances

Warranties:
refer to Terms and Conditions of Sale



Valid version of
data sheet online

QR Online-Version

NORWE GmbH

Paulstraße 5, Pernze
51702 Bergneustadt
Deutschland

Telefon +49 (0) 27 63-807-0
E-mail verkauf@norwe.de
Internet www.norwe.de
www.norwe.eu

NORWE Inc.

P.O. Box 25 11
North Canton, OH 44720-0511
United States of America

Telefon +1-330 497-8113
E-mail usa@norwe.com
Internet www.norwe.com