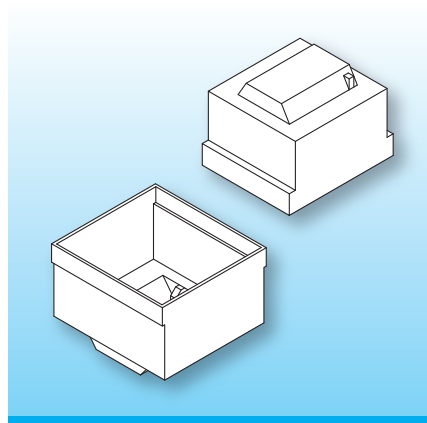


## ETD Potting Boxes Horizontal

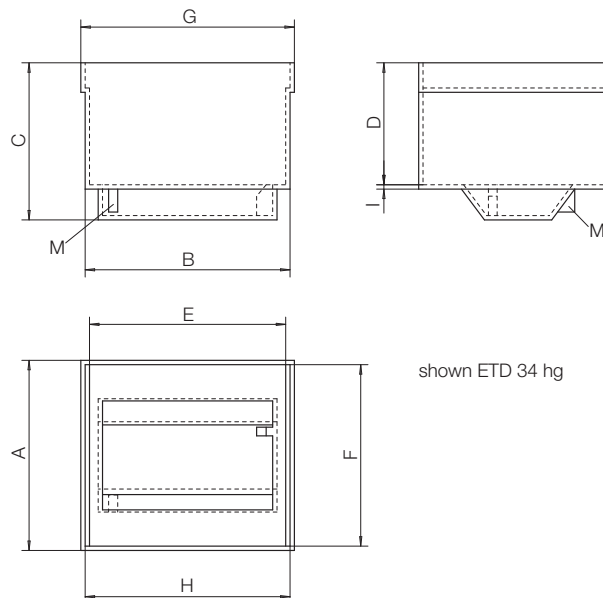
The material used is gfr Polyamide PA66 of type A RV250 nat. (RTI long-range temperature +100° C). Special materials – e.g. irradiated cross-linked – and designs on request, dimensions in mm/inch.



The boxes are suitable as enclosures for horizontal ETD standard coil-formers.

When ordering please quote type and order-code.

Type	Order-Code	A	B	C	D	E	F	G	H	I
ETD 19 hg/22.8/A RV250 nat.	N0060-106	26.1	34.6	22.8	18.3	33.0	24.5	36.6	34.6	0.8
ETD 24 hg/25.2/A RV250 nat.	N0061-106	1.028	1.362	0.898	0.720	1.299	0.965	1.441	1.362	0.031
ETD 29 hg/32.0/A RV250 nat.	93122-106	31.1	35.6	25.2	19.5	34.0	29.5	38.2	36.6	0.8
ETD 34 hg/34.4/A RV250 nat.	93123-106	1.224	1.402	0.992	0.768	1.339	1.161	1.504	1.441	0.031
ETD 39 hg/37.2/A RV250 nat.	93124-106	37.2	39.2	32.0	25.1	37.2	35.2	44.4	42.4	1.0
		1.465	1.543	1.260	0.988	1.465	1.386	1.748	1.669	0.039
		41.0	42.4	34.4	26.3	40.4	39.0	44.4	42.4	1.0
		1.614	1.669	1.354	1.035	1.591	1.535	1.748	1.669	0.039
		45.8	47.4	37.2	28.1	45.2	43.8	49.2	47.2	1.0
		1.803	1.858	1.465	1.106	1.780	1.724	1.937	1.858	0.039



### © 10/2021 by NORWE GmbH

All dimensions in mm/inch

The permissible deviations according to DIN 16901 apply as tolerances

Warranties:  
refer to Terms and Conditions of Sale



Valid version of  
data sheet online

QR Online-Version

### NORWE GmbH

Paulstraße 5, Pernze  
51702 Bergneustadt  
Deutschland

Telefon +49 (0) 27 63-807-0  
E-mail verkauf@norwe.de  
Internet www.norwe.de  
www.norwe.eu

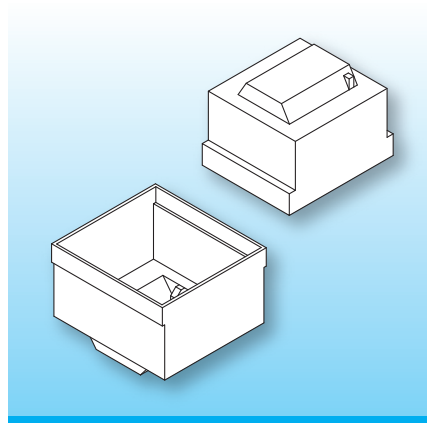
### NORWE Inc.

P.O. Box 25 11  
North Canton, OH 44720-0511  
United States of America

Telefon +1-330 497-8113  
E-mail usa@norwe.com  
Internet www.norwe.com

## ETD Potting Boxes Horizontal

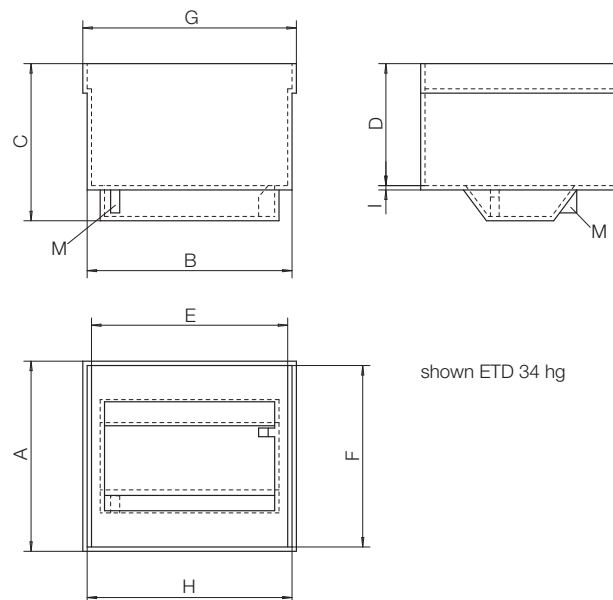
The material used is gfr Polyamide PA66 of type A RV250 nat. (RTI long-range temperature +100° C). Special materials – e.g. irradiated cross-linked – and designs on request, dimensions in mm/inch.



The boxes are suitable as enclosures for horizontal ETD standard coil-formers.

When ordering please quote type and order-code.

Type	Order-Code	A	B	C	D	E	F	G	H	I
ETD 44 hg/40.0/A RV250 nat.	93125-106	51.0	52.4	40.0	30.4	50.4	49.0	54.4	52.4	1.0
ETD 49 hg/42.7/A RV250 nat.	N0064-106	2.008	2.063	1.575	1.197	1.984	1.929	2.142	2.063	0.039
ETD 54 hg/46.5/A RV250 nat.	N0021-106	56.2	57.4	42.7	31.8	55.4	54.2	59.4	57.4	1.0
ETD 59 hg/49.4/A RV250 nat.	N0022-106	2.213	2.260	1.681	1.252	2.181	2.134	2.339	2.260	0.039
		63.5	62.4	46.5	34.8	60.4	61.5	64.4	62.4	1.0
		2.500	2.457	1.831	1.370	2.378	2.421	2.535	2.457	0.039
		68.9	67.4	49.4	37.3	65.4	66.9	69.4	67.4	1.0
		2.713	2.654	1.945	1.469	2.575	2.634	2.732	2.654	0.039



© 10/2021 by NORWE GmbH

All dimensions in mm/inch

The permissible deviations according to DIN 16901 apply as tolerances

Warranties:  
refer to Terms and Conditions of Sale



Valid version of  
data sheet online

QR Online-Version

**NORWE GmbH**

Paulstraße 5, Pernze  
51702 Bergneustadt  
Deutschland

Telefon +49 (0) 27 63-807-0  
E-mail verkauf@norwe.de  
Internet www.norwe.de  
www.norwe.eu

**NORWE Inc.**

P.O. Box 25 11  
North Canton, OH 44720-0511  
United States of America  
Telefon +1-330 497-8113  
E-mail usa@norwe.com  
Internet www.norwe.com