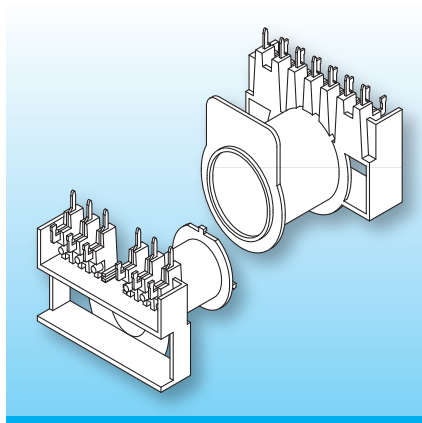


ETD Safety Class Coilformers Concentric Design

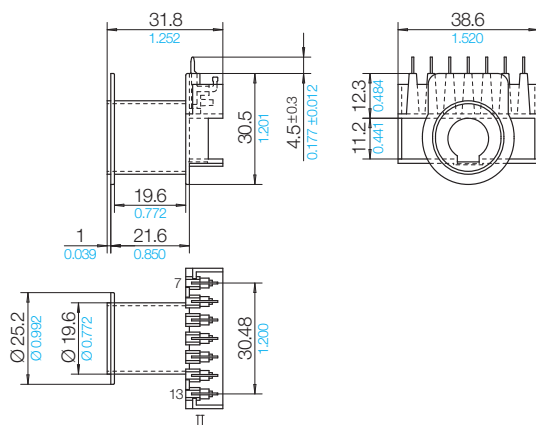
The coilformers are made in gr Polyamide PA66 of type A RV250 nat. (RTI long-range temperature +100° C). The solder-tags are punched from brass and are subsequently tinned. Max. solder temperature +350° C, 2 sec. Special materials – e.g. irradiated cross-linked – and designs on request, dimensions in mm/*inch*.



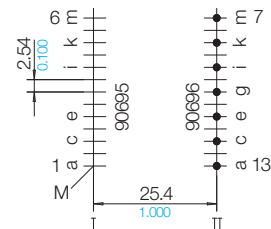
The ETD safety class coilformers have the advantage that the primary and secondary windings are wound separately on the coilformer halves, with the two windings pushed together to form a complete winding assembly.

Elaborate description of the designs please see catalogue-info.

Type	Order-Code	Accessories
Coilformer: ETD 34/sek/s-/5.08-m/A RV250 nat. Solder-tag: s18/wd	90696-106 75511-261	on request



Grid View tag-side



02 B 2 S

© 10/2021 by NORWE GmbH

All dimensions in mm/inch

The permissible deviations according to DIN 16901 apply as tolerances

Warranties:
refer to Terms and Conditions of Sale



Valid version of
data sheet online

QR Online-Version

NORWE GmbH

Paulstraße 5, Pernze
51702 Bergneustadt

Deutschland

Telefon +49 (0) 27 63-807-0

E-mail verkauf@norwe.de

Internet www.norwe.de

www.norwe.eu

NORWE Inc.

P.O. Box 25 11

North Canton, OH 44720-0511

United States of America

Telefon +1-330 497-8113

E-mail usa@norwe.com

Internet www.norwe.com