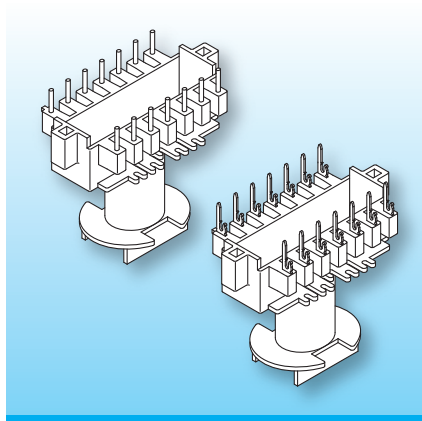



## ETD Coilformers Vertical

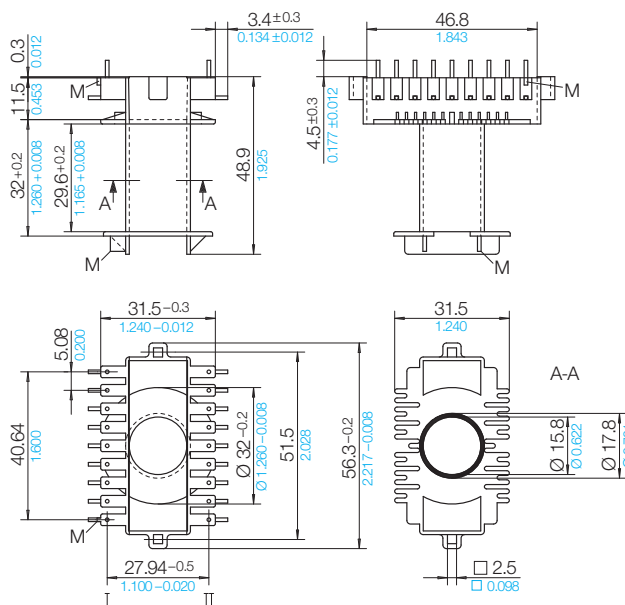
The coilformers are made in gfr Polyethylene Terephthalate PET of type SKYT.5220FR (RTI long-range temperature +155° C). Pin material is tin bronze, tinned for solder-pins and brass, tinned for solder-tags. Max. solder temperature +350° C, 2 sec. Special materials – e.g. irradiated cross-linked – and designs on request, dimensions in mm/inch.



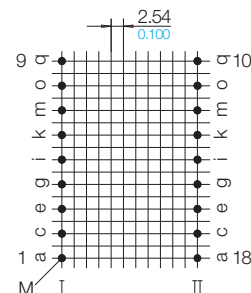
The coilformers are available in the well-established versions ETD standard with solder-pins and ETD standard with solder-tags.

For each application the most suitable solution – inform yourself about the individual qualities of the different designs on catalogue-info.

Type	Order-Code	Accessories
Coilformer: ETD 44/v18/fi/-1/SKYT.5220FR	90630-186	Clip FK-ETD 44
Solder-pin: h115/ua	73523-212	Spacers DR
Self-tapping screw: DIN 7981-St 2,9 x 6,5-F-H	N0049-000  on request	



### Grid View pin-side



02 B 2 M

### © 10/2022 by NORWE GmbH

All dimensions in mm/inch

The permissible deviations according to DIN 16901 apply as tolerances

Warranties: refer to Terms and Conditions of Sale



Valid version of data sheet online

QR Online-Version

### NORWE GmbH

Paulstraße 5, Pernze  
51702 Bergneustadt

Deutschland

Telefon +49 (0) 27 63-807-0

E-mail [verkauf@norwe.de](mailto:verkauf@norwe.de)

Internet [www.norwe.de](http://www.norwe.de)

[www.norwe.eu](http://www.norwe.eu)

### NORWE Inc.

P.O. Box 25 11

North Canton, OH 44720-0511

United States of America

Telefon +1-330 497-8113

E-mail [usa@norwe.com](mailto:usa@norwe.com)

Internet [www.norwe.com](http://www.norwe.com)