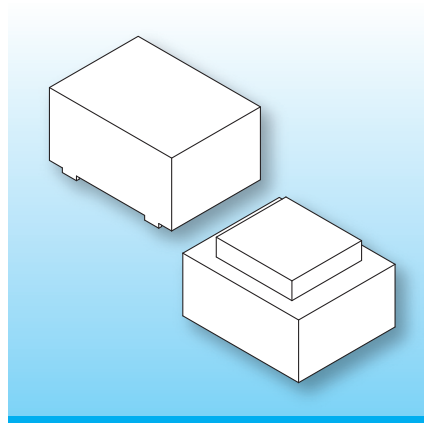


## Potting Boxes

The potting boxes are made in gfr Polyamide PA66 of type p6g (RTI long-range temperature +125° C). Special materials – eg. irradiated cross-linked – and designs on request, dimensions in mm/*inch*.



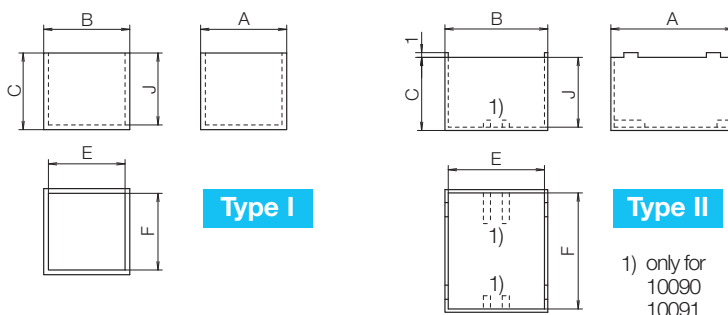
Potting Boxes are required when higher requirements on insulation is specified. Creepage and clearance dimensions are increased. Potting should preferably be under vacuum.

When ordering please quote type and order-code.

Type I	Order-Code	A	B	C	E	F	J
EE 12.6/vla/12.0/p6g	09780-024	14.4 0.567	14.4 0.567	13.0 0.512	13.1 0.516	13.1 0.516	12.3 0.484
EE 16/vla/14.0/p6g	09880-024	17.8 0.701	18.0 0.701	14.8 0.583	16.6 0.654	16.6 0.654	14.0 0.551

Type II	Order-Code	A	B	C	E	F	J
EE 20/vlf/14.8/p6g	10099-024	26.0 1.024	21.8 0.858	15.5 0.610	20.4 0.803	24.5 0.965	14.8 0.583
EE 20/vlf/14.8/p6g	10090-024	26.0 1.024	21.8 0.858	15.5 0.610	20.4 0.803	24.5 0.965	14.8 0.583
EE 20/vlf/17.8/p6g	10091-024	26.0 1.024	21.8 0.858	18.5 0.728	20.4 0.803	24.5 0.965	17.7 0.697



© 09/2021 by NORWE GmbH

Warranties:  
refer to Terms and Conditions of Sale

**NORWE GmbH**

Postfach 13 56  
51691 Bergneustadt  
Paulstraße 5, Pernze  
51702 Bergneustadt  
Deutschland

Telefon +49 (0) 27 63-807-0  
Telefax +49 (0) 27 63-807-77  
E-mail verkauf@norwe.de  
Internet www.norwe.de  
www.norwe.eu

**NORWE Inc.**

P.O. Box 25 11  
North Canton, OH 44720-0511  
United States of America  
Telefon +1-330 497-8113  
Telefax +1-330 305-0592  
E-mail usa@norwe.com  
Internet www.norwe.com

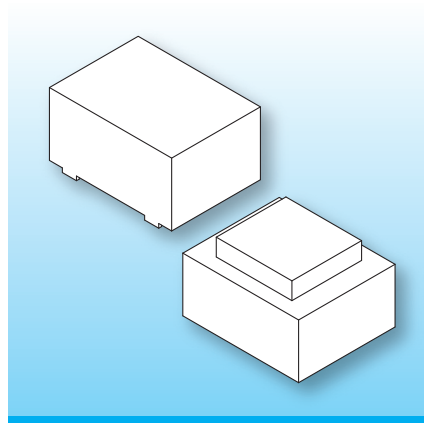


Valid version of  
data sheet online

QR Online-Version

## Potting Boxes

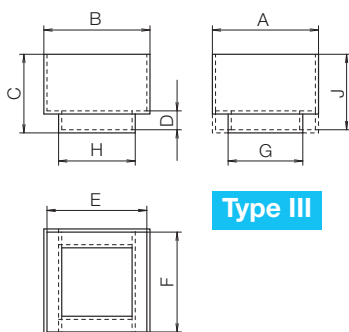
The potting boxes are made in gfr Polyamide PA66 of type p6g (RTI long-range temperature +125° C). Special materials – eg. irradiated cross-linked – and designs on request, dimensions in mm/*inch*.



Potting Boxes are required when higher requirements on insulation is specified. Creepage and clearance dimensions are increased. Potting should preferably be under vacuum.

When ordering please quote type and order-code.

Type III	Order-Code	A	B	C	D	E	F	G	H	J
EE 25/vlb/19.2/p6g	10290-024	27.8 1.094	27.8 1.094	20.1 0.791	3.5 0.138	26.2 1.031	26.2 1.031	-	21.0 0.827	19.3 0.760
EE 32/vlb/24.0/p6g	10590-024	35.0 1.378	34.0 1.339	25.0 0.984	5.5 0.217	32.4 1.276	33.4 1.315	29.0 1.142	28.0 1.102	24.0 0.945
M 20/vlb/15.0/p6g	00230-024	22.8 0.898	22.8 0.898	16.0 0.630	3.4 0.134	21.2 0.835	21.2 0.835	-	16.0 0.630	15.0 0.591
M 30/vlc/19.5/p6g	00690-024	32.8 1.291	32.8 1.291	20.3 0.799	5.7 0.224	31.2 1.228	31.2 1.228	23.8 0.937	23.8 0.937	19.5 0.768
M 30/vlc/21.0/p6g	00700-024	32.8 1.291	32.8 1.291	21.8 0.858	5.7 0.224	31.2 1.228	31.2 1.228	23.8 0.937	23.8 0.937	21.0 0.827
M 30/vlc/25.0/p6g	00980-024	32.8 1.291	32.8 1.291	25.8 1.016	5.7 0.224	31.2 1.228	31.2 1.228	23.8 0.937	23.8 0.937	25.0 0.984
M 42/vlc/36.0/p6g	01435-024	46.2 1.819	46.2 1.819	37.2 1.465	8.4 0.331	44.6 1.756	44.6 1.756	33.8 1.331	33.8 1.331	36.3 1.429



© 09/2021 by NORWE GmbH

Warranties:  
refer to Terms and Conditions of Sale

**NORWE GmbH**

Postfach 13 56  
51691 Bergneustadt  
Paulstraße 5, Pernze  
51702 Bergneustadt  
Deutschland

Telefon +49 (0) 27 63-807-0  
Telefax +49 (0) 27 63-807-77  
E-mail [verkauf@norwe.de](mailto:verkauf@norwe.de)  
Internet [www.norwe.de](http://www.norwe.de)  
[www.norwe.eu](http://www.norwe.eu)

**NORWE Inc.**

P.O. Box 25 11  
North Canton, OH 44720-0511  
United States of America  
Telefon +1-330 497-8113  
Telefax +1-330 305-0592  
E-mail [usa@norwe.com](mailto:usa@norwe.com)  
Internet [www.norwe.com](http://www.norwe.com)



Valid version of  
data sheet online

QR Online-Version