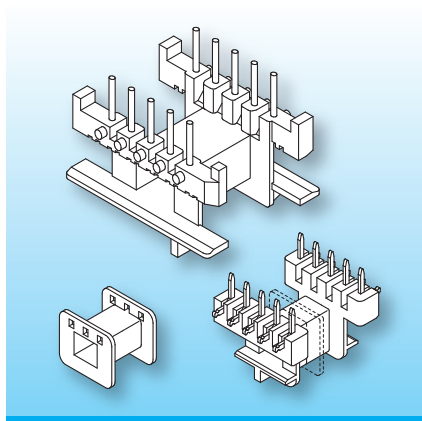



EE 8 – EE 32 Horizontal

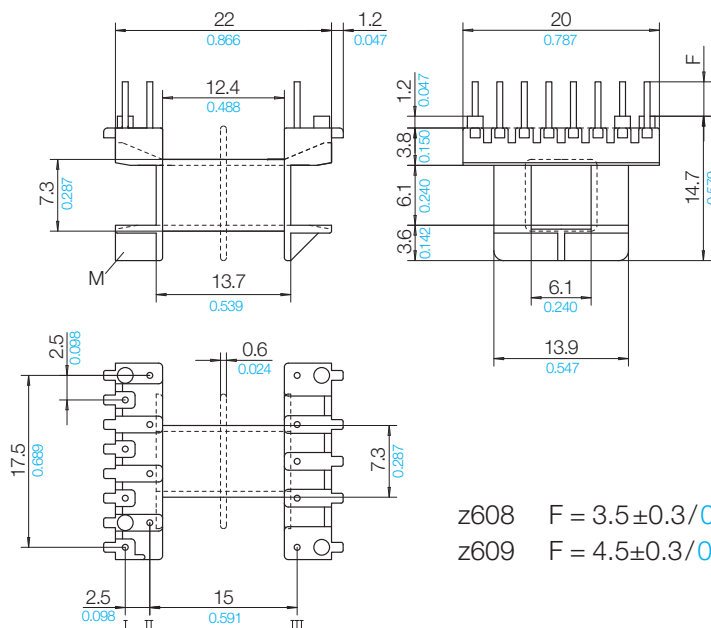
The coilformers are made in gfr Polyamide PA66 of type p6g (RTI long-range temperature +125° C), A RV250 nat. (RTI long-range temperature +100° C) and A3X2G10, sw (RTI long-range temperature +115° C). Pin material is tin bronze, tinned for solder-tags and brass, tinned for solder-tags. Max. solder temperature +350° C, 2 sec. Special materials – e.g. irradiated cross-linked – and designs on request, dimensions in mm/*inch*.



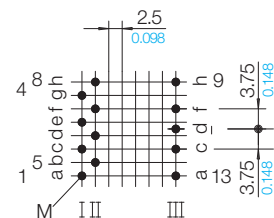
This group of horizontal coilformers is sorted by ferrite core / lamination size and each by pinning with straight pins, side-wrapping pins, solder-tags and conventional coilformers.

Most designs feature terminal strips with “noses” which provide tension-relief of the winding wires and “stand-offs” which allow clean soldering of the coilformer onto the pcb to minimize cold-solder joints. Some coilformers also feature extended flanges to prevent clips sliding off.

Type	Order-Code	Accessories
Coilformer: EE 20/1k/e7-6/2,5-g(h),bh/A RV250 nat.	1 0 0 3 7 - 1 0 6	Spring-Clip SB-EF/E 20
Coilformer: EE 20/2k/a7-6/2,5-g(h),bh/A RV250 nat.	N 0 1 0 5 - 1 0 6 	Potting Box EE 20/vlf
Solder-pin: z608/ua	7 3 2 6 4 - 2 1 2	
Solder-pin: z609/ua	7 3 2 6 5 - 2 1 2	



Grid
View pin-side



z608 F = 3.5±0.3/0.138±0.012 without Potting Box
 z609 F = 4.5±0.3/0.177±0.012 for Potting Box (1 0 0 9 9 - 0 2 4)

01 A 2 M / 01 A 0 K

© 07/2018 by NORWE GmbH

Warranties:
refer to Terms and Conditions of Sale

NORWE GmbH

Postfach 13 56
 51691 Bergneustadt
 Paulstraße 5, Pernze
 51702 Bergneustadt
 Deutschland
 Telefon +49 (0) 27 63-807-0
 Telefax +49 (0) 27 63-807-77
 E-mail verkauf@norwe.de
 Internet www.norwe.de
 www.norwe.eu

NORWE Inc.

P.O. Box 25 11
 North Canton, OH 44720-0511
 United States of America
 Telefon +1-330 497-8113
 Telefax +1-330 305-0592
 E-mail usa@norwe.com
 Internet www.norwe.com



Valid version of
data sheet online

QR Online-Version