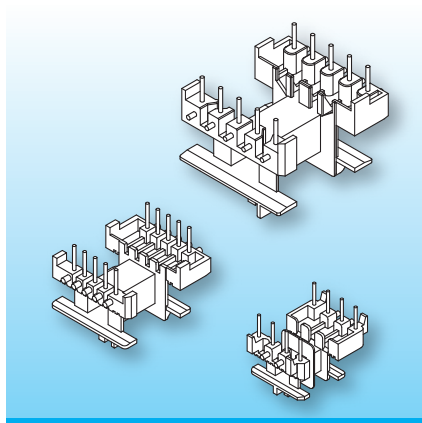


EE 12.6 – EE 25 Horizontal/ longer creepage

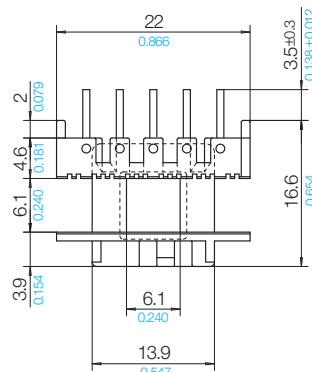
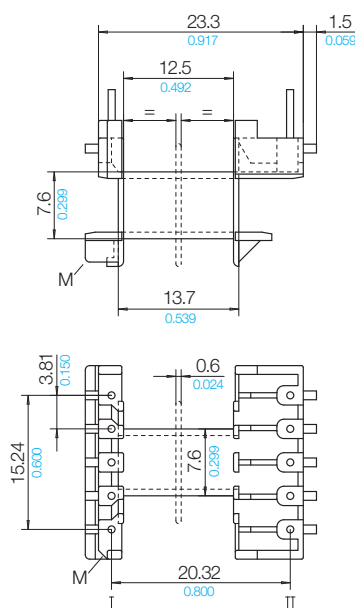
The coilformers are made in gfr Polyamide PA66 of type A RV250 nat. (RTI long-range temperature +100 °C). Pin material is tin bronze, tinned. Maximum solder temperature 350 °C, 2sec.

Special materials – e.g. irradiated cross-linked – and designs on request, dimensions in mm/inch.

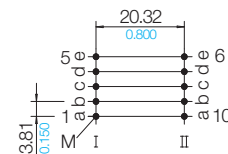


NORWE now is designing to expand the series of EE/M coilformers horizontal EE 12.6 to EE 25 with longer creepage-dimensions between ferrite and solder-pin. The design allows automatic winding also on NC winding machines. Special winding noses and also a wire routing provide tension-relief when binding on the wire. The coilformers have distance strips to avoid cold-solder joints into the PCB.

Type	Order-Code	Accessories
Coilformer: EE 20/1k/K11/7-8/3.81-e(20.32)/A RV250 nat.	09990-106	Spring-Clip SB-EF/E 20
Coilformer: EE 20/2k/K11/7-8/3.81-e(20.32)/A RV250 nat.	09991-106	
Solder-pin: z809/ua	73295-212	



Grid View pin-side



01 B 1 M / 01 B 1 K

© 07/2018 by NORWE GmbH

Warranties:
refer to Terms and Conditions of Sale

NORWE GmbH

Postfach 13 56
51691 Bergneustadt
Paulstraße 5, Pernze
51702 Bergneustadt

Deutschland

Telefon +49 (0) 27 63-807-0
Telefax +49 (0) 27 63-807-77
E-mail verkauf@norwe.de
Internet www.norwe.de
www.norwe.eu

NORWE Inc.

P.O. Box 25 11
North Canton, OH 44720-0511
United States of America

Telefon +1-330 497-8113
Telefax +1-330 305-0592
E-mail usa@norwe.com
Internet www.norwe.com



Valid version of
data sheet online

QR Online-Version