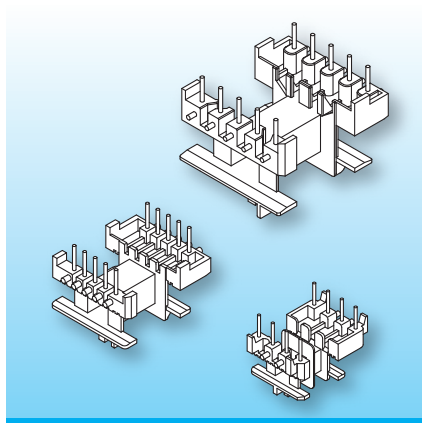


## EE 12.6 – EE 25 Horizontal/ longer creepage

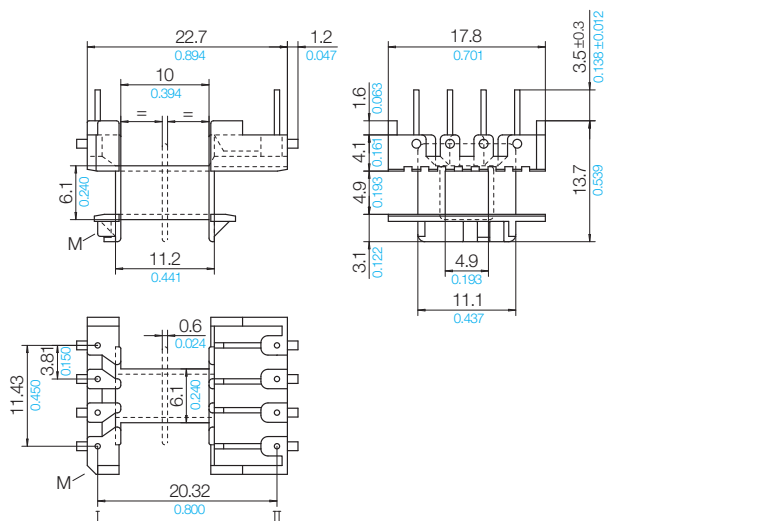
The coilformers are made in gfr Polyamide PA66 of type A RV250 nat. (RTI long-range temperature +100 °C). Pin material is tin bronze, tinned. Maximum solder temperature 350 °C, 2sec.

Special materials – e.g. irradiated cross-linked – and designs on request, dimensions in mm/inch.

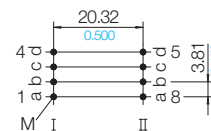


NORWE now is designing to expand the series of EE/M coilformers horizontal EE 12.6 to EE 25 with longer creepage-dimensions between ferrite and solder-pin. The design allows automatic winding also on NC winding machines. Special winding noses and also a wire routing provide tension-relief when binding on the wire. The coilformers have distance strips to avoid cold-solder joints into the PCB.

Type	Order-Code	Accessories
Coilformer: EE 16/1k/11/7-6/3.81-d(20.32)/A RV250 nat.	09873-106	Spring-Clip SB-EF 16
Coilformer: EE 16/2k/11/7-6/3.81-d(20.32)/A RV250 nat.	09874-106	
Solder-pin: z608/ua	73264-212	



**Grid**  
View pin-side



01 A 1 K / 01 A 1 M

© 07/2018 by NORWE GmbH

Warranties:  
refer to Terms and Conditions of Sale

**NORWE GmbH**

Postfach 13 56  
51691 Bergeustadt  
Paulstraße 5, Pernze  
51702 Bergeustadt  
Deutschland  
Telefon +49 (0) 27 63-807-0  
Telefax +49 (0) 27 63-807-77  
E-mail verkauf@norwe.de  
Internet www.norwe.de  
www.norwe.eu

**NORWE Inc.**

P.O. Box 25 11  
North Canton, OH 44720-0511  
United States of America  
Telefon +1-330 497-8113  
Telefax +1-330 305-0592  
E-mail usa@norwe.com  
Internet www.norwe.com



Valid version of  
data sheet online

QR Online-Version